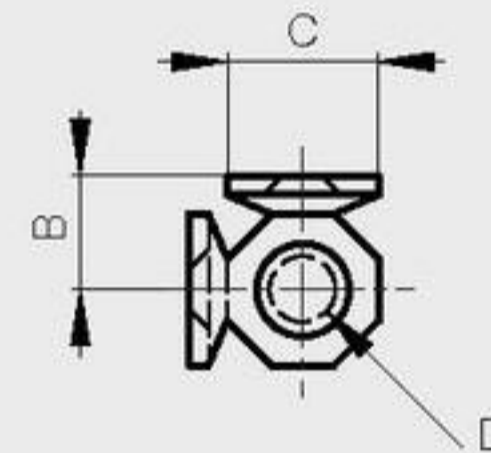
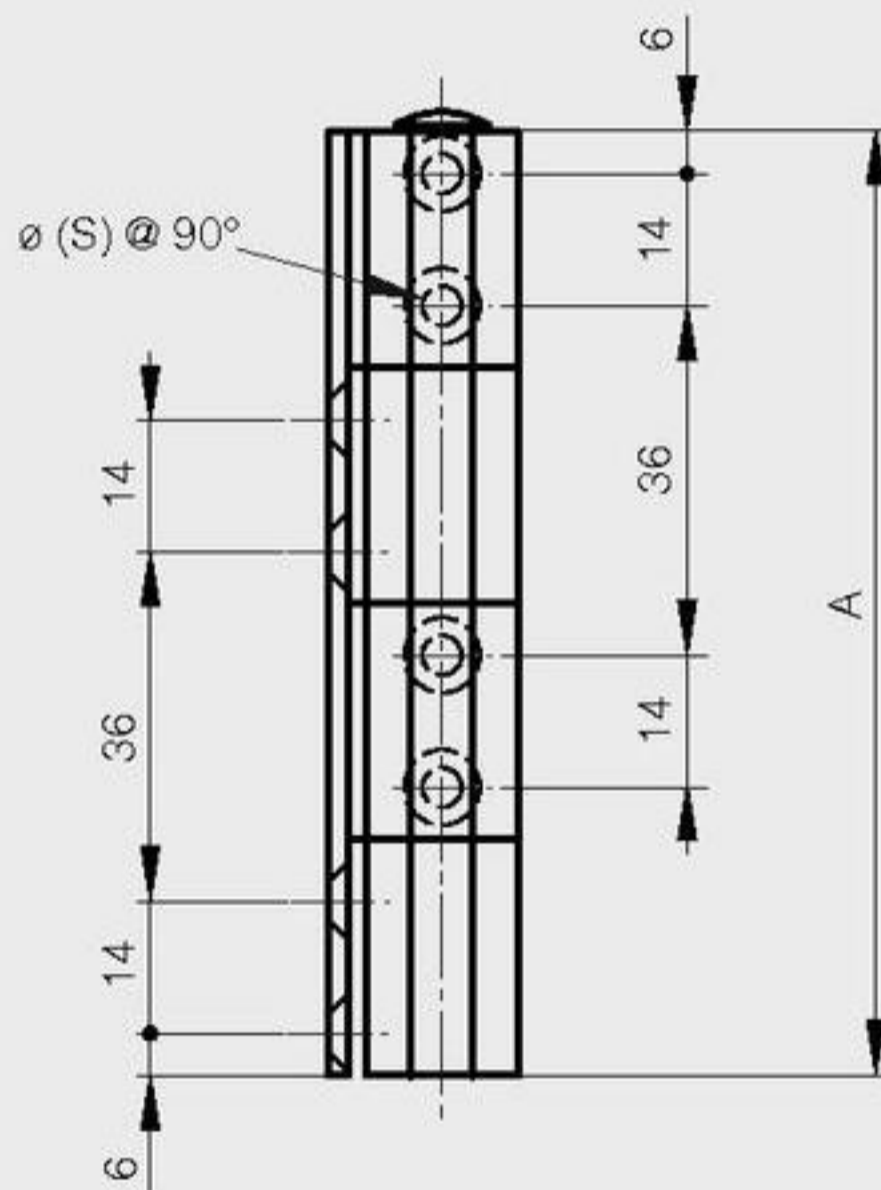


### Drilled brass hinge

Removable pin in chrome plated brass

A	B	C	D	S	part number	material	finish	weight
100	12	16	7	5	72-7-3333	brass	chrome plated	235.7g



### Brass lift-off hinges

Steel pin

A	B	C	D	F	G	S	note	part number	material	finish	weight
30	40	2	3.5	6.8	15	3	type 1 symmetric not shown	14-7-3413	brass	chrome plated	20g
30	40	2	3.5	6.8	15	3	type 2 as shown below	14-7-3414	brass	chrome plated	20g
30	40	2	3.5	6.8	15	3	type 1 symmetric not shown	14-7-3425	brass	polished	20g
30	40	2	3.5	6.8	15	3	type 2 as shown below	14-7-3426	brass	polished	20g

