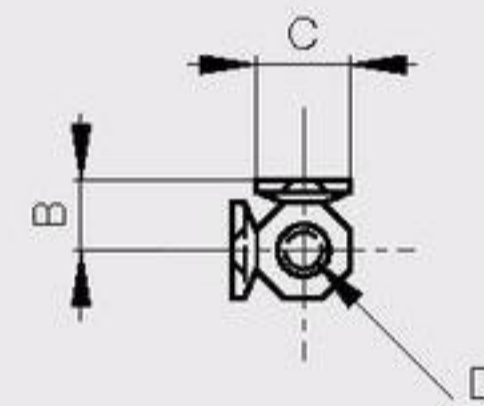
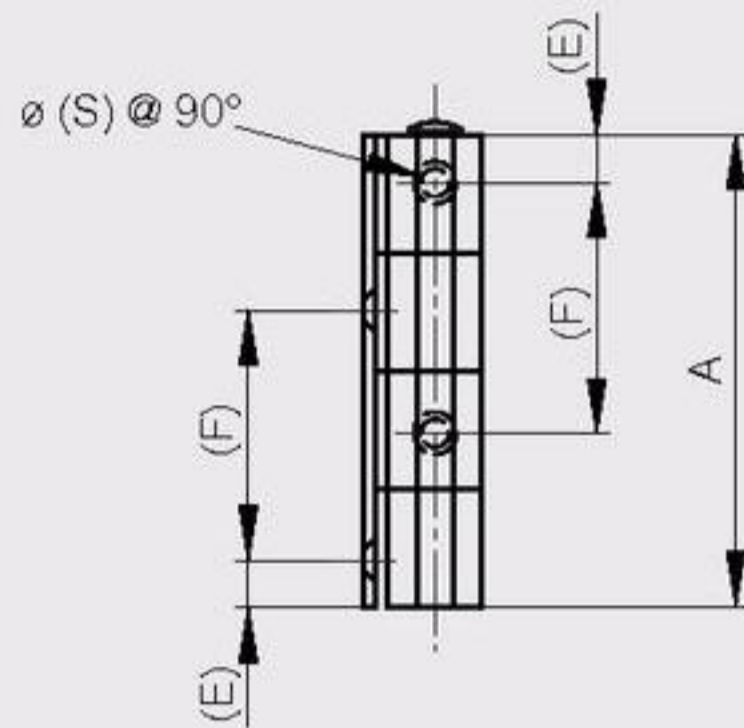


### Drilled brass hinges

Removable pin

A	B	C	D	E	F	S	material	finish	part number	pin material	weight
40	7.5	10	3.9	5	20	3	brass	chrome plated	72-7-3329	nickel plated steel	30g
50	7.5	10	3.9	5	26.5	3	brass	chrome plated	72-7-3331	nickel plated steel	50g
80	12	16	7	9.6	40	4.5	brass	chrome plated	72-7-3332	chrome plated brass	190g



Removable pin in nickel plated steel

A	B	C	D	S	part number	material	finish	weight
45	7.5	10	3.9	2.5	72-7-3330	brass	chrome plated	40g

