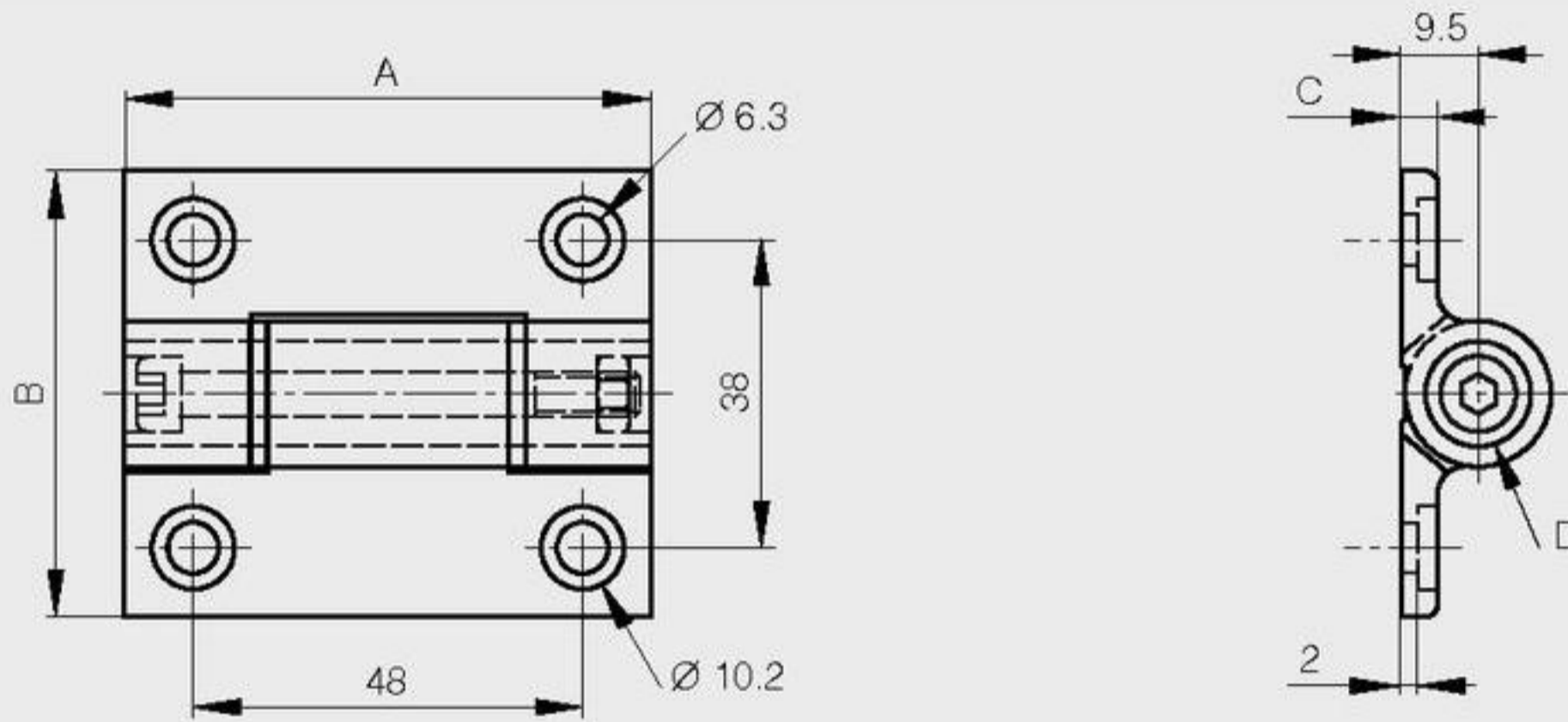


Hi-Klik™ Detent hinge

Indented every 30°. 3 torque values.
 Torque is preset.
 A full product data sheet is available on our website.



A	B	C	D	torque	part number	material	finish	weight
67	55	4.5	13	1.8 N.m	72-1-4197	alu 6060 T5	black anodised	106g
67	55	4.5	13	2.5 N.m	72-1-4198	alu 6060 T5	black anodised	106g
67	55	4.5	13	3.2 N.m	72-1-4225	alu 6060 T5	black anodised	106g



Aluminium hinges

new!

This hinge has the same footprint as our friction, detent and spring hinges.
 All are fully interchangeable.
 Plastic pin with or without end caps.



A	B	C	D	torque	part number	material	finish	weight
65	55	4.5	13	without cap	72-1-4212	alu 6060 T5	clear anodised	130g
65	55	4.5	13	without cap	72-1-4213	alu 6060 T5	black anodised	130g
65	55	4.5	13	with cap	72-1-4214	alu 6060 T5	clear anodised	130g
65	55	4.5	13	with cap	72-1-4215	alu 6060 T5	black anodised	130g

