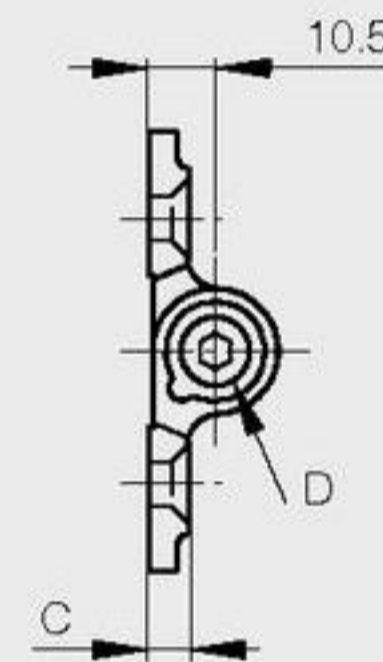
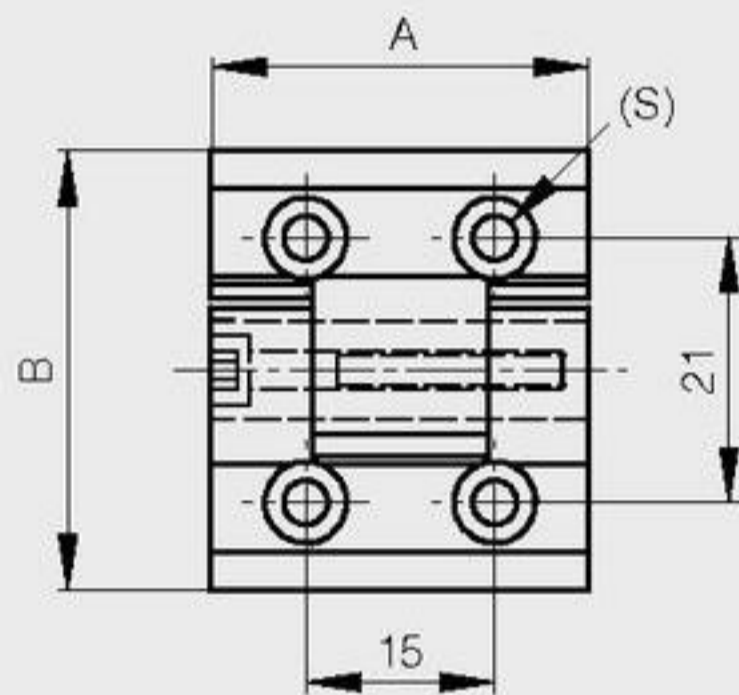


Small friction hinge - adjustable

Small size friction hinge to maintain a panel in position.
 The friction torque is adjustable with a hex key.
 A full product data sheet is available on our website.



A	B	C	D	S	part number	material	finish	weight
30	35	3	8	3.5	72-1-4136	alu 6060 T5	raw	10g
30	35	3	8	3.5	72-1-4137	alu 6060 T5	black anodised	10g
30	35	3	8	3.5	72-1-4160	alu 6060 T5	clear anodised	10g



Large friction hinge - adjustable

Large size friction hinge to maintain a panel in position.
 The friction torque is adjustable with a hex key.
 Available with a choice of studs or holes.
 A full product data sheet is available on our website.



A	B	C	D	note	part number	material	finish	weight
65	55	4.5	13	fixing with M6 screw	72-1-4145	alu 6060 T5	clear anodised	66g
65	55	4.5	13	fixing with M6 screw	72-1-4146	alu 6060 T5	black anodised	66g
65	55	4.5	13	fixing with M6 studs	72-1-4147	alu 6060 T5	clear anodised	78g
65	55	4.5	13	fixing with M6 studs	72-1-4148	alu 6060 T5	black anodised	78g

