

Opening spring hinge 240mm long

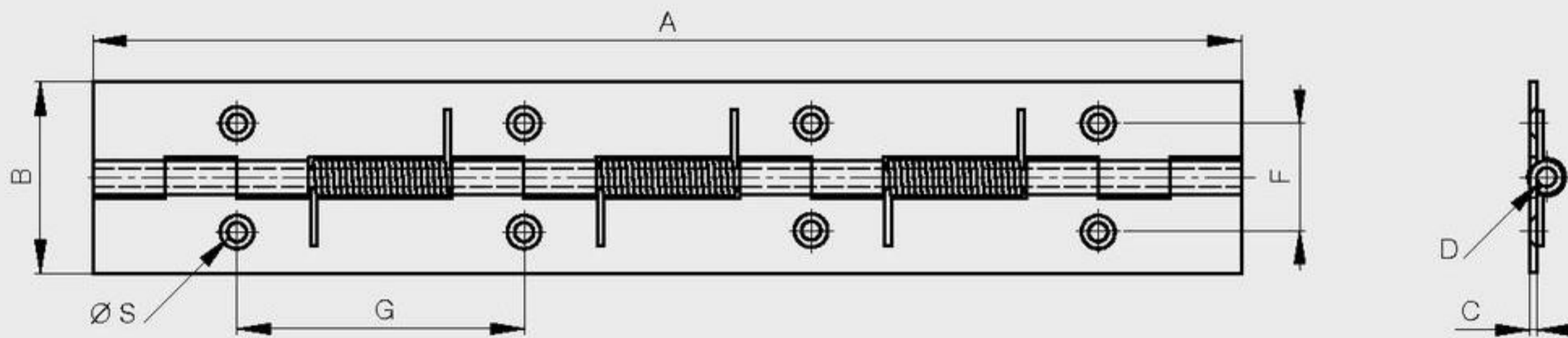
new!

Spring force in N.m :
 M(0°) : 2,1 N.m / M(90°) : 1,35 N.m / M(180°) : 0,69 N.m

Stainless steel spring



A	B	C	D	F	G	S	note	part number	material	finish	weight
240	40	1.5	4				undrilled	71-1-3801	steel	zinc plated	164g
240	40	1.5	4	22.7	60	4	drilled	71-1-3807	steel	zinc plated	164g
240	40	1.5	4				undrilled	71-1-3789	stainless steel	raw	164g
240	40	1.5	4	22.7	60	4	drilled	71-1-3795	stainless steel	raw	164g



Closing spring hinge 240mm long

new!

Spring force in N.m :
 M(0°) : 0,69 N.m / M(90°) : 1,35 N.m / M(180°) : 2,1 N.m

Stainless steel spring

A	B	C	D	F	G	S	note	part number	material	finish	weight
240	40	1.5	4				undrilled	71-1-3804	steel	zinc plated	164g
240	40	1.5	4	22.7	60	4	drilled	71-1-3810	steel	zinc plated	164g
240	40	1.5	4				undrilled	71-1-3792	stainless steel	raw	164g
240	40	1.5	4	22.7	60	4	drilled	71-1-3798	stainless steel	raw	164g

