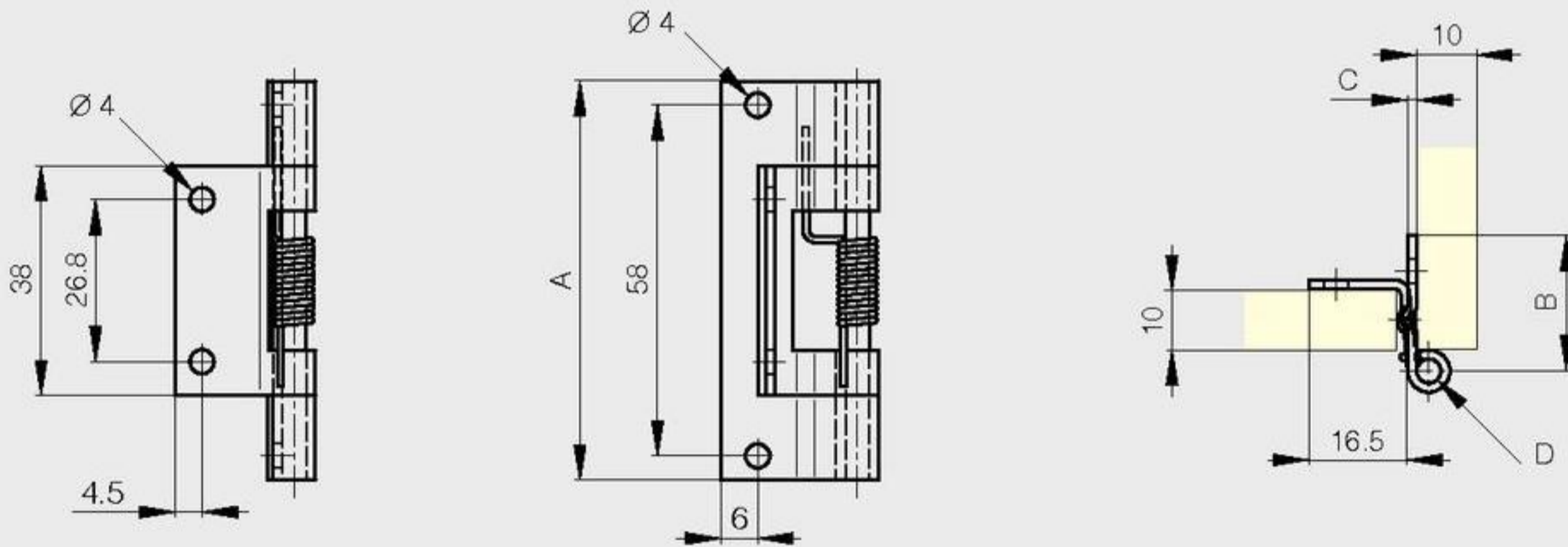


### Cranked spring hinge

A full product data sheet is available on our website.

A	B	C	D	note	part number	material	finish	weight
66	22.5	1.5	4	closing spring	71-1-3649	316 stainless steel	gloss	38g



### Cranked spring hinge

A full product data sheet is available on our website.

A	B	C	D	note	part number	material	finish	weight
60	30	1.5	3	closing spring	71-1-3622	316 stainless steel	raw	40g

