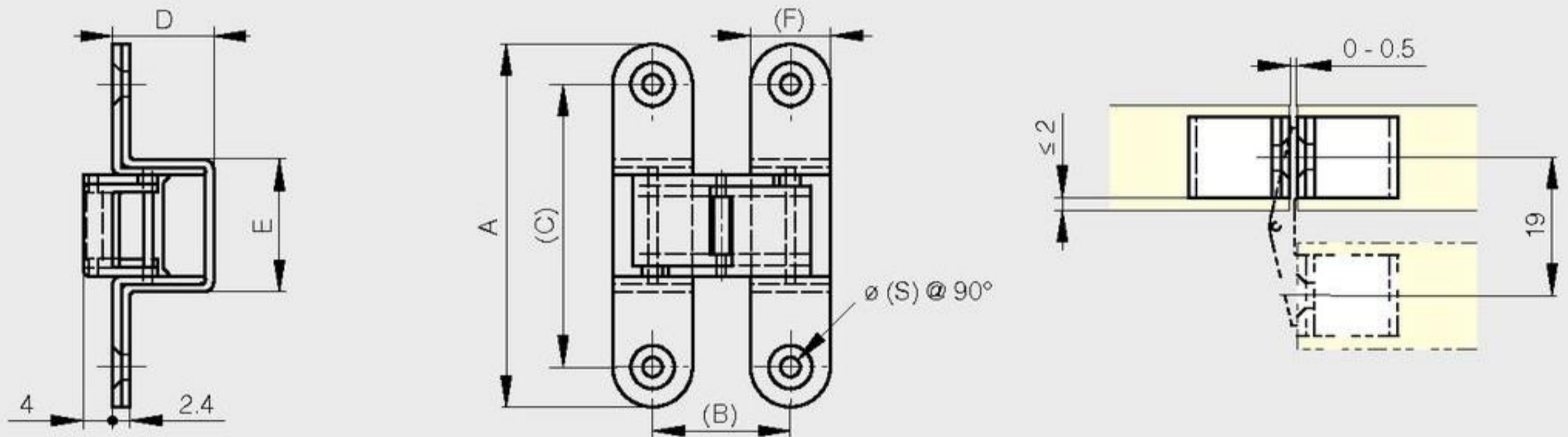


**Concealed hinge 180° opening**

A	B	C	D	E	F	S	part number	material	finish	weight
50	19	38	14	18.2	11	2.7	70-7-3544	304 stainless steel	satin	33g



**Concealed weld-on springloaded pin hinge**

A	B	K	part number	material	finish	weight
53	15	15	85-7-1030	steel	raw	70g

