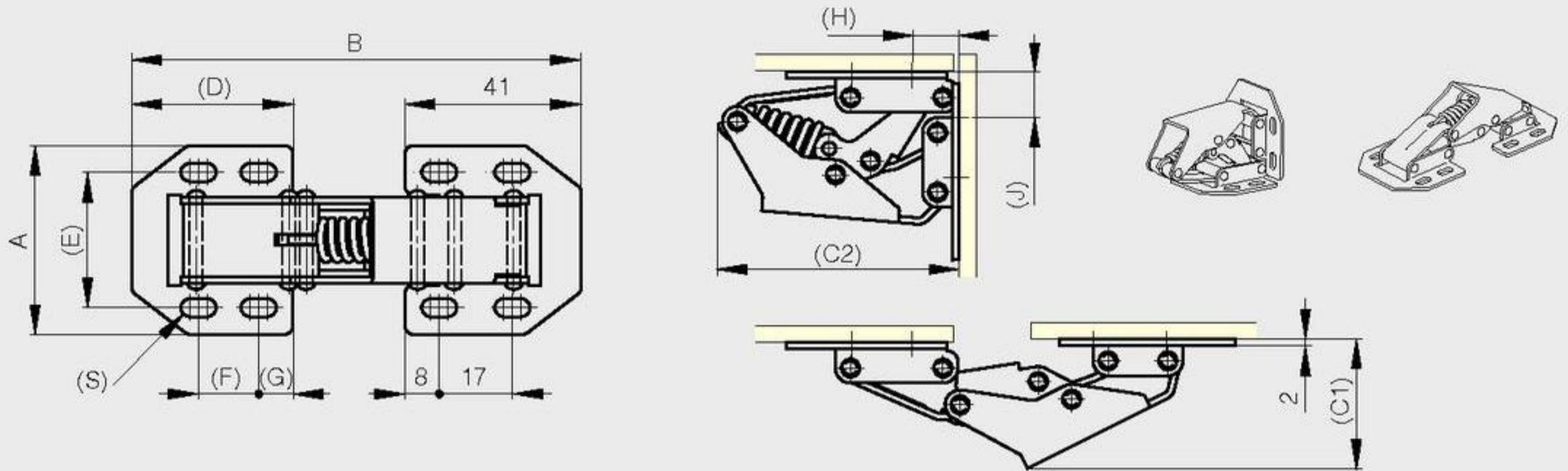


Spring loaded concealed hinges 90° opening

Heavy duty hinge

A	B	C1	C2	D	E	F	G	H	J	S	part number	material	finish	weight
44	104.5	30	56	37.5	31.5	14	8	10.8	10.8	4.2x8	70-1-3550	316 stainless steel	raw	90g



Concealed hinge 90° opening

Refer to the product data sheet on our website for mounting instructions.

Pins and links in 430 stainless steel.

A	B	C	part number	material	finish	weight
44	29	32	70-1-3520	steel	zinc plated	65g

