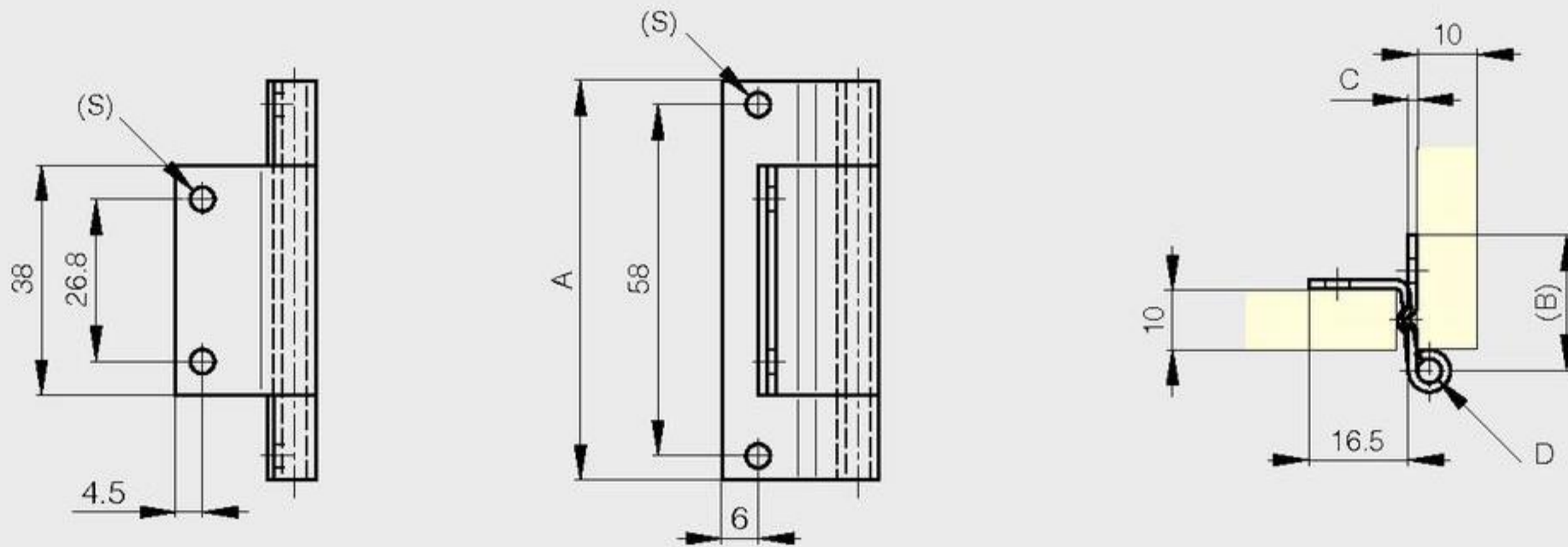


Small butt hinge with one cranked leaf

The same hinge is available with a spring (part number 71-1-3649)

A	B	C	D	S	part number	material	finish	weight
66	22.5	1.5	4	4	62-1-3637	316 stainless steel	gloss	310g



Pin hinge with one cranked leaf - no washer

A	B	C	D	E	S	note	part number	material	finish	weight
60	72	2	5	30	4	type 2 as shown below	12-1-3682	304 stainless steel	raw	70g
60	72	2	5	30	4	type 1 symmetric not shown	12-1-3683	304 stainless steel	raw	70g

