

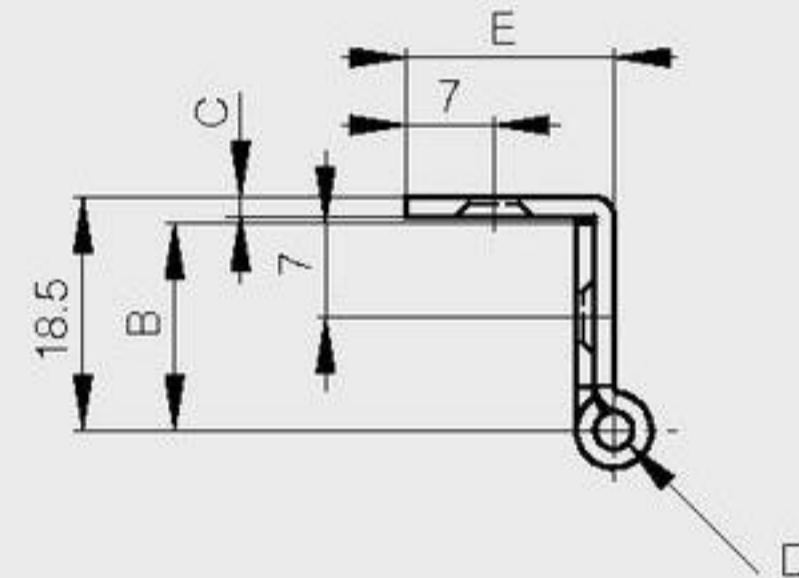
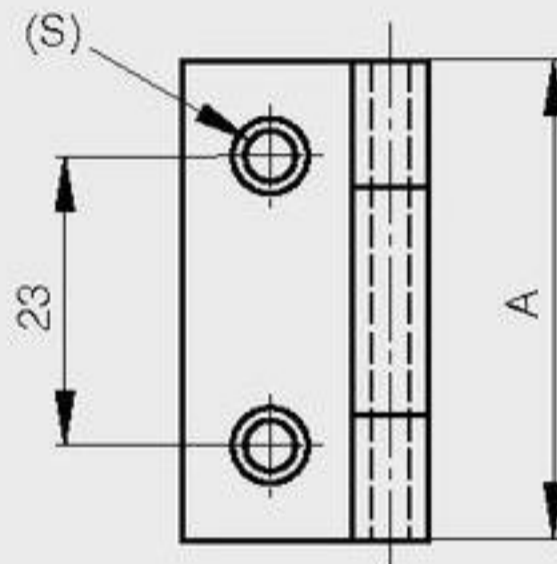
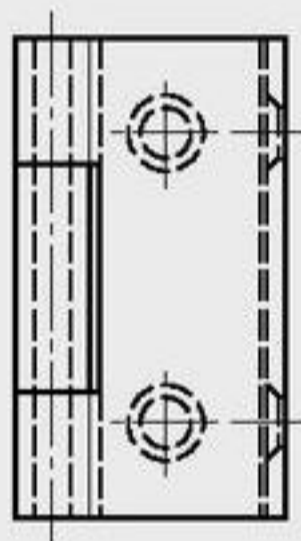
**Continuous cranked hinges**

Please see «Continuous hinges»

**Small butt hinge with one cranked leaf**

430 stainless steel headed pin

A	B	C	D	E	S	part number	material	finish	weight
38	16.5	1.5	3	16.5	4	63-1-3301	brass	chrome plated	29g



One hinge has a removable pin (part number 60-1-3531)

A	B	C	D	E	F	G	S	pin	material	finish	part number	pin material	weight
38	7	1.5	3	18	27	21	4.5		steel	chrome plated	60-1-3525	430 stainless steel	24g
38	11	1.5	3	14	27	17	4.5		steel	chrome plated	60-1-3327	430 stainless steel	24g
38	11	1.5	3	14	27	17	4.5	removable	steel	chrome plated	60-1-3531	430 stainless steel	24g
38	7	1.5	3	18	27	21	4.5		steel	nickel plated	60-1-3527	430 stainless steel	24g
38	11	1.5	3	14	27	17	4.5		steel	nickel plated	60-1-3329	430 stainless steel	24g
38	11	1.5	3	14	27	17	4.5		steel	black zinc plated	60-1-3797	430 stainless steel	24g
38	15	1.5	3	14	31	17	4.5		316 stainless steel	raw	62-1-3628	304 stainless steel	24g

