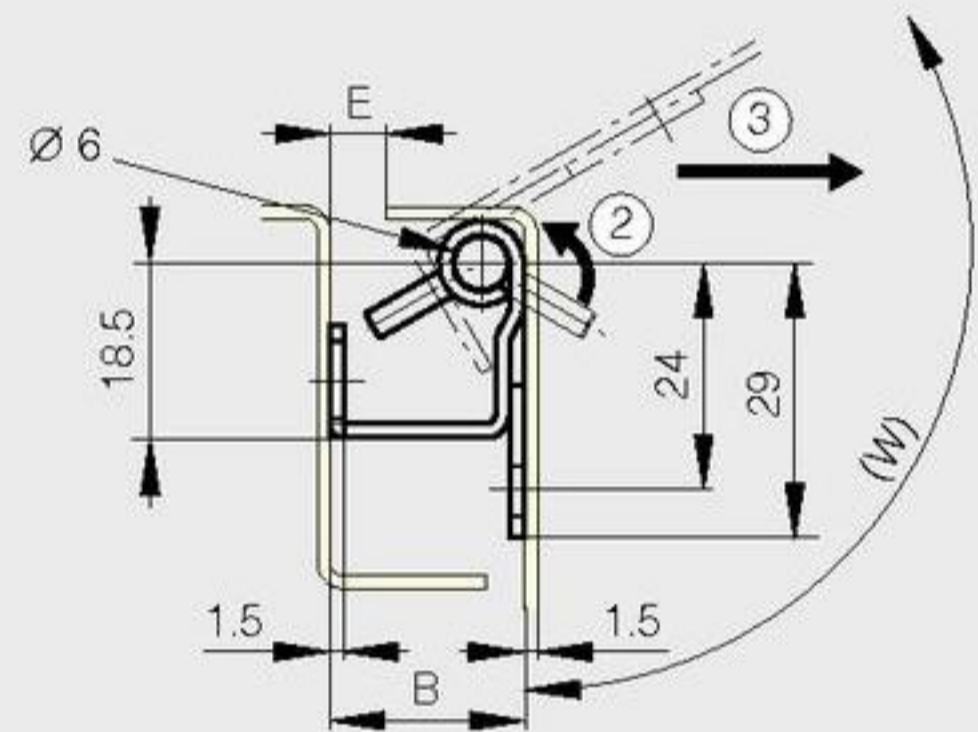
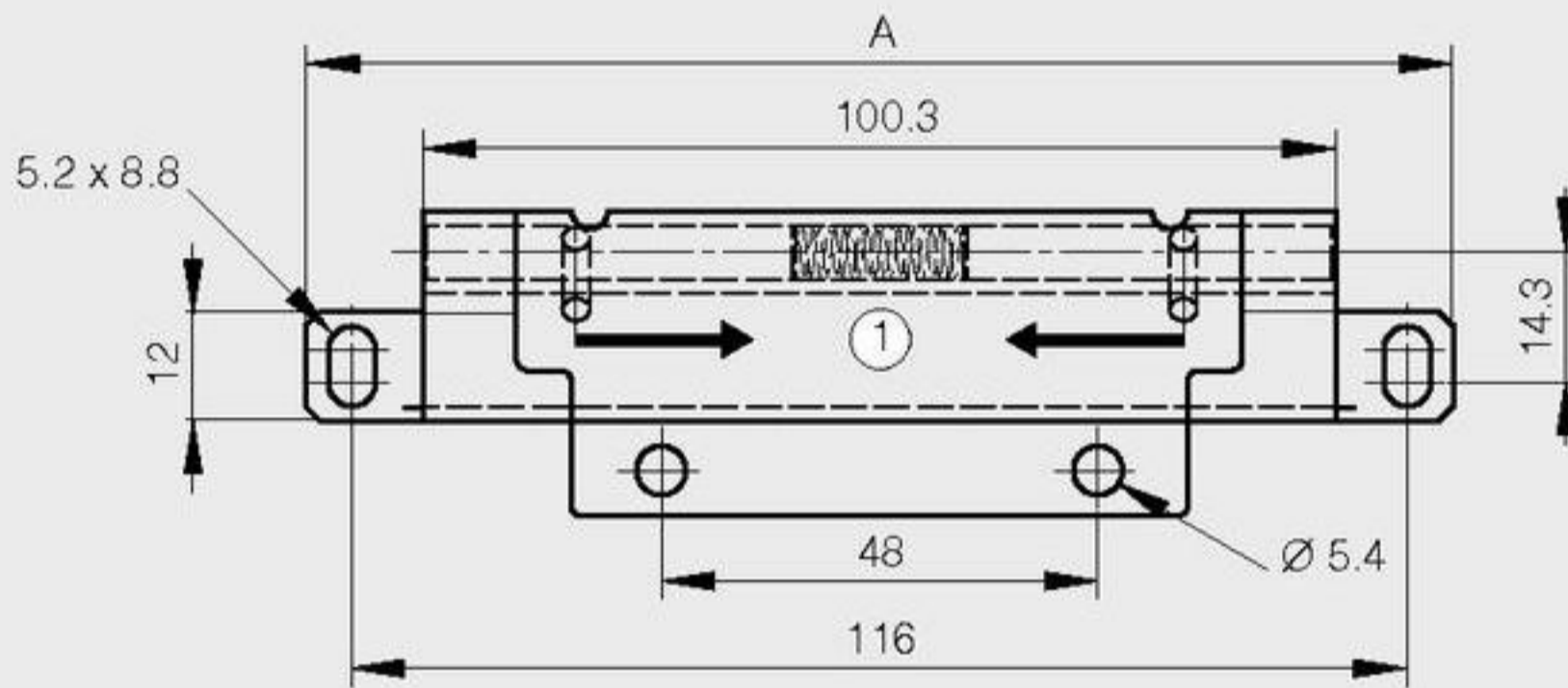


Concealed hinges with retractable pin

new!

Quick-release concealed hinge for tool-free door removal with fixed retractable pin.

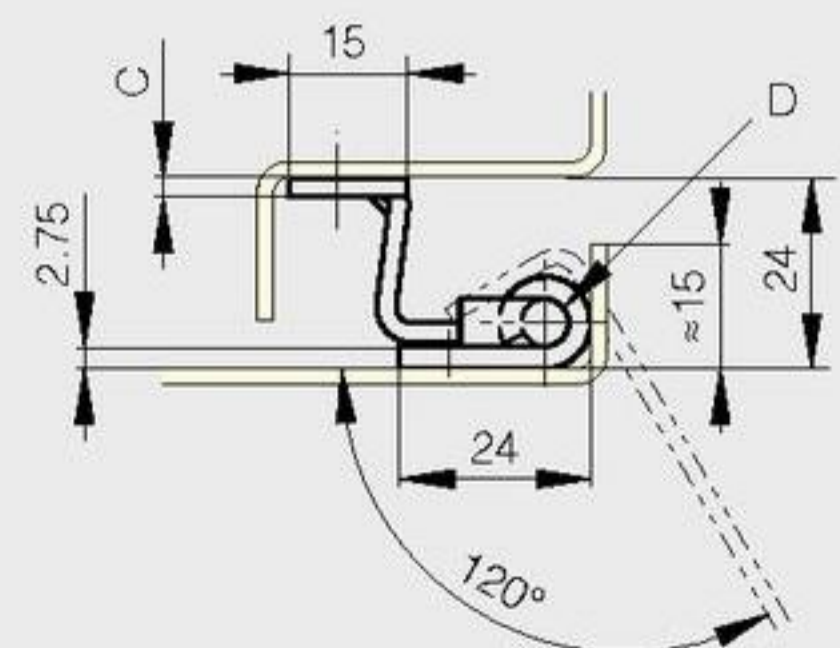
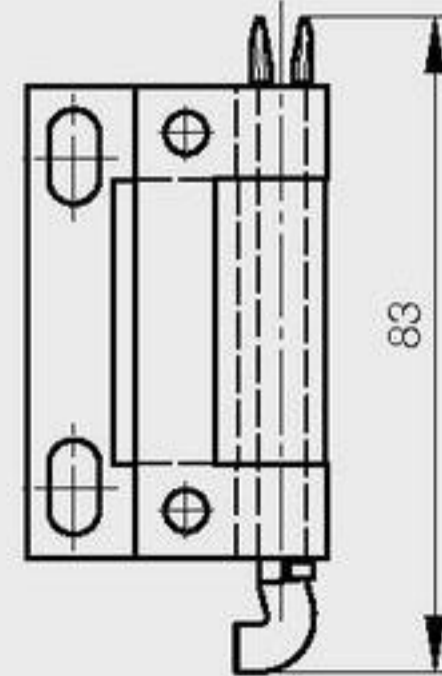
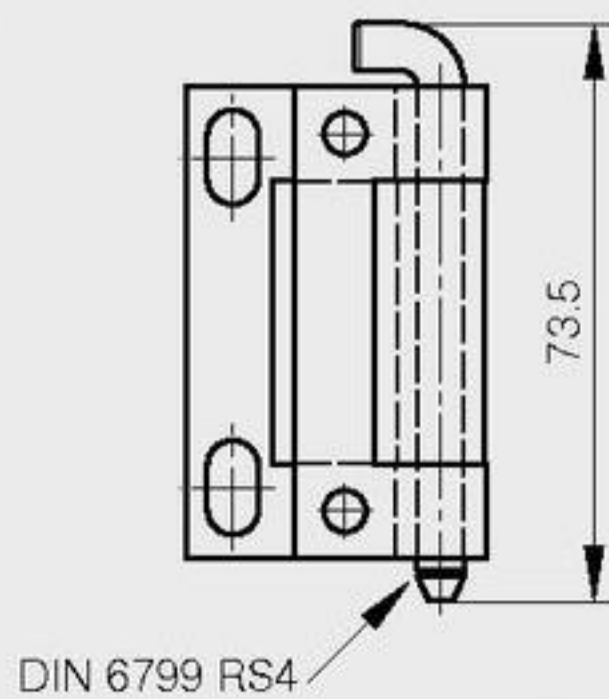
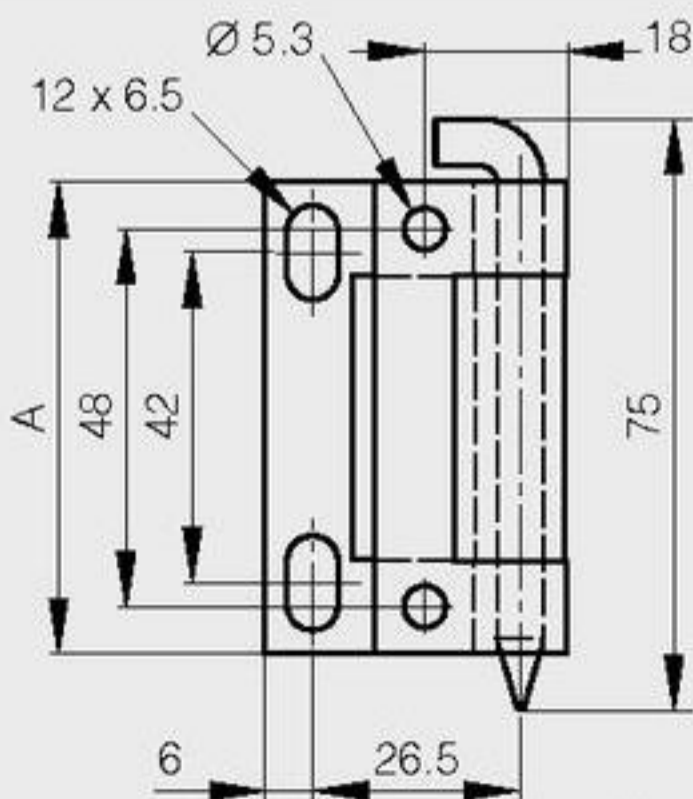
A	B	E	W	part number	material	finish	weight
126	17.5	3	122°	62-1-9000	stainless steel	raw	73g
126	20.5	4	117°	62-1-9001	stainless steel	raw	84g
126	23.9	4.5	112°	62-1-9002	stainless steel	raw	100g



Concealed hinges - 120° opening

Zinc plated steel hinge, small flat side in raw steel.
 Natural POM pin diameter 6.
 For pin with groove, optimal use of circlips DIN 6799 RS4.

A	C	D	pin	part number	material	finish	weight
60	2.5	6	zinc plated pin	60-1-3760	steel	zinc plated	85g
60	2.5	6	zinc plated grooved pin	60-1-3779	steel	zinc plated	85g
60	2.5	6	delrin pin	60-1-3761	steel	zinc plated	85g
60	2.5	6	304 stainless steel pin	62-1-3570	304 stainless steel	raw	85g
60	2.5	6	303 stainless steel grooved pin	62-1-3584	304 stainless steel	raw	85g
60	2.5	6	delrin pin	62-1-3571	304 stainless steel	raw	85g



60-1-3760 & 62-1-3570

60-1-3779 & 62-1-3584

60-1-3761 & 62-1-3571