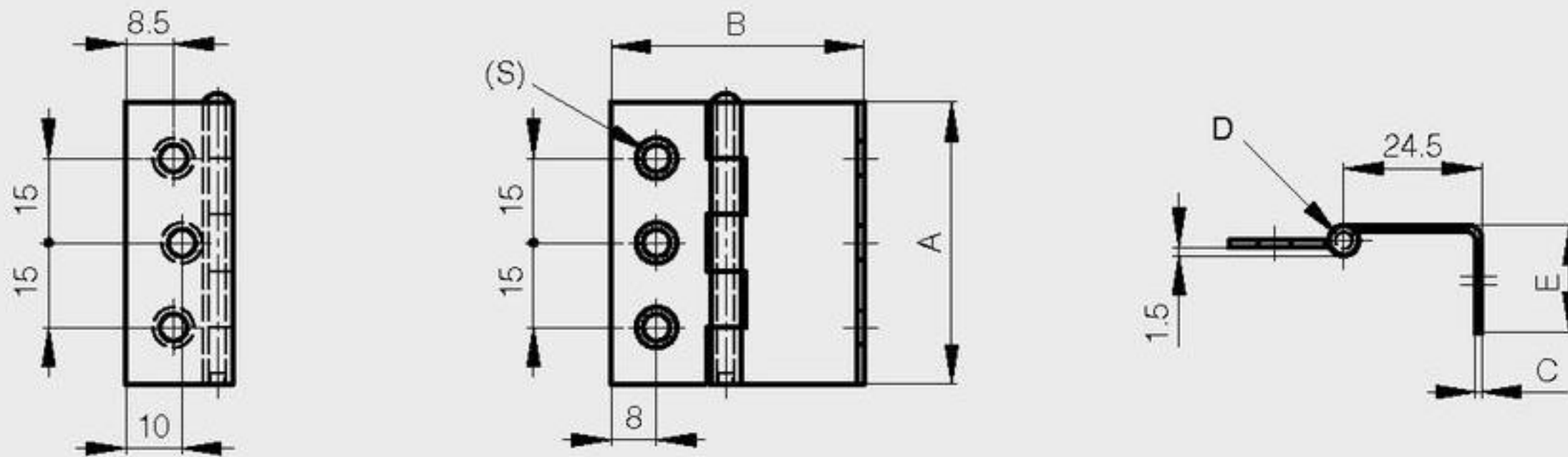


Small butt hinge with one cranked leaf and removable pin

Removable pin

For door thickness 20mm max.

A	B	C	D	E	S	part number	material	finish	weight
50	20.3	1.2	3	19	4.8	62-1-3301	430 stainless steel	polished	33g



Small butt hinge with one cranked leaf

The same hinge is available with a spring (part number 71-1-3622)

A	B	C	D	S1	S2	part number	material	finish	weight
60	30	1.5	3	4.2	5	62-1-3625	316 stainless steel	gloss	40g

