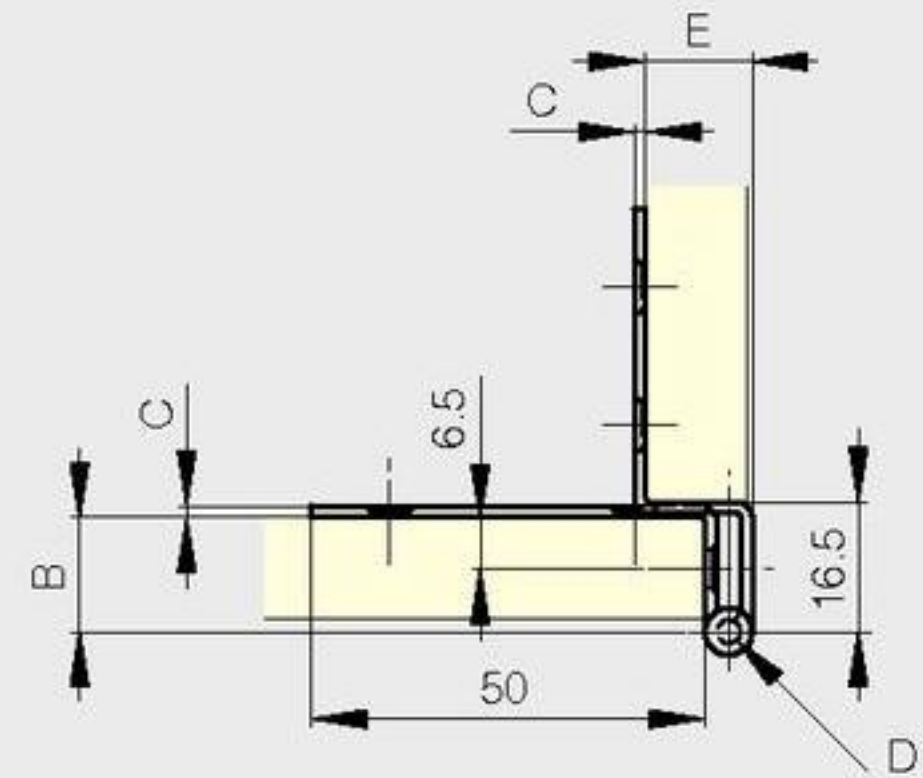
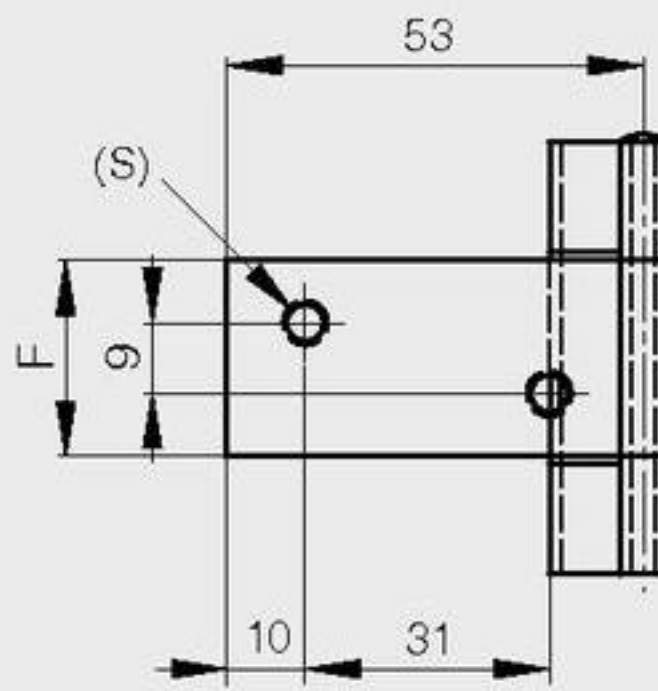
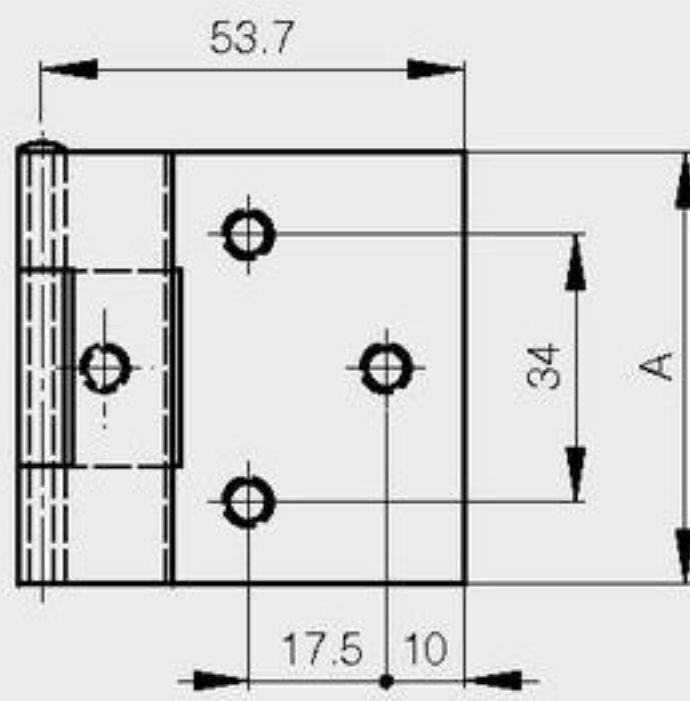


Small butt hinges with two cranked leaves

Removable pin for part numbers 60-1-3303 and 60-1-3307
 Riveted pin for part number 60-1-3506

A	B	C	D	E	F	S	material	finish	part number	pin material	weight
55	14.5	1.5	3	13.5	25	4.75	steel	chrome plated	60-1-3303	nickel plated steel	65g
55	14.5	1.5	3	13.5	25	4.75	steel	black cataphoresis	60-1-3307	zinc plated steel	65g
55	14.5	1.5	3	13.5	25	4.75	steel	chrome plated	60-1-3506	304 stainless steel	65g



Riveted stainless steel pin

A	B	C1	C2	D	E	F	S	material	finish	part number	weight
55	22.5	2	1.5	4	21	25	5	steel	black cataphoresis	60-1-3810	90g
55	22.5	2	1.5	4	21	25	5	steel	zinc plated	60-1-3811	90g

