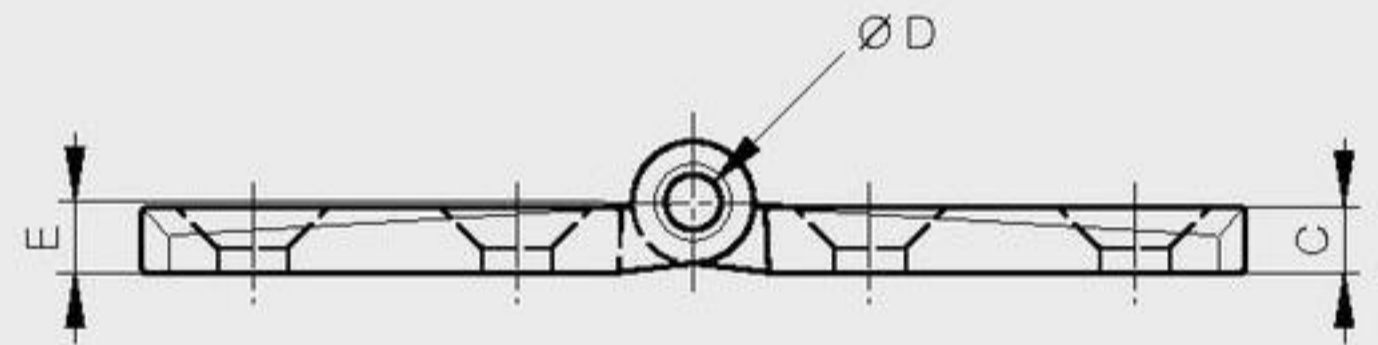
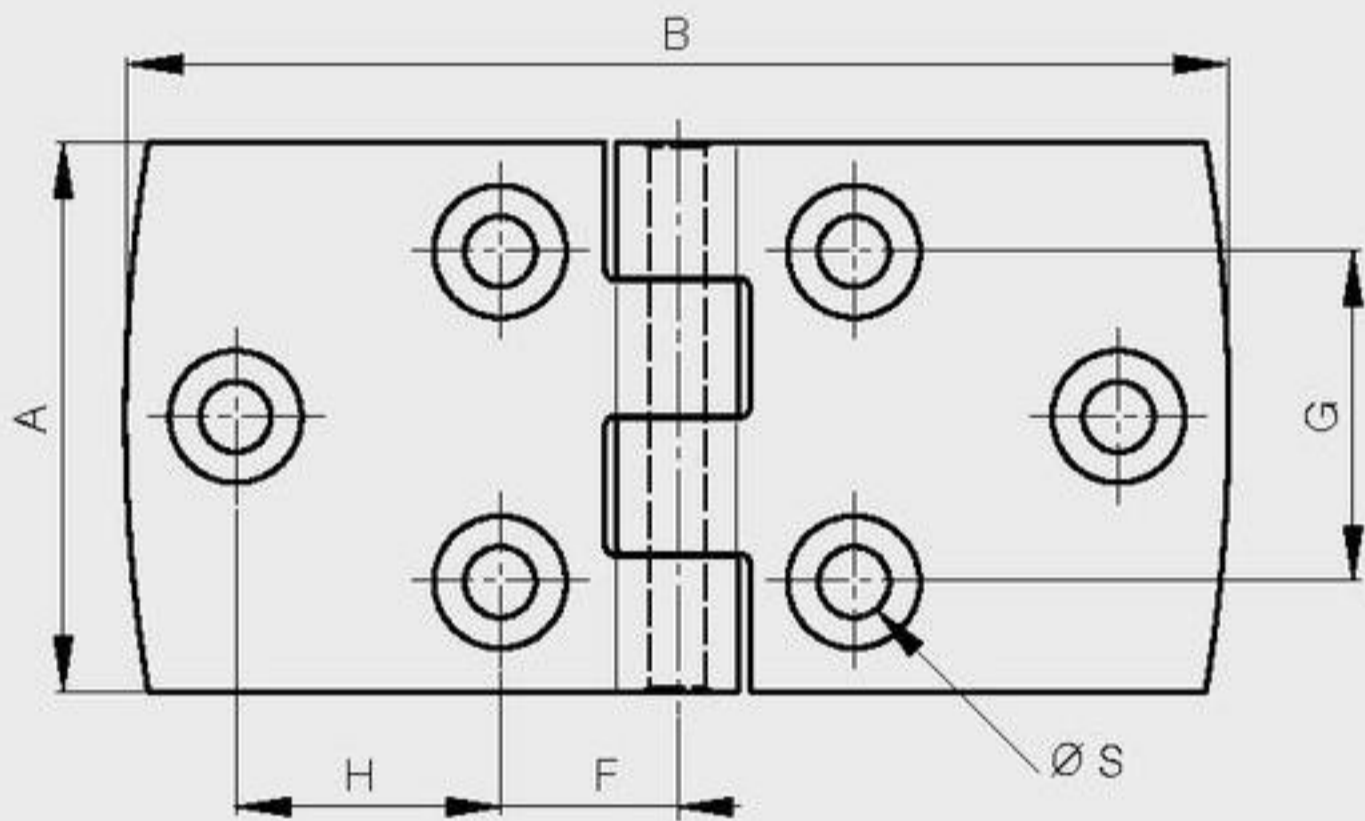


Symmetrical design hinges

new!

Hinges are made of 30% GF polyamide, pins are in 304 stainless steel.

A	B	C	D	E	F	G	H	S	part number	material	finish	weight
40	80	5.2	4	5.7	13.5	25	19	5.3	54-1-3520	polyamide	black	20g
40	120	5.2	4	5.7	14.5	25	38	5.3	54-1-3522	polyamide	black	28g
50	100	5.9	5	6.4	16	30	24	6.4	54-1-3540	polyamide	black	34g
60	120	6.5	6	7	18	36	30	6.4	54-1-3524	polyamide	black	34g



Asymmetrical design hinges

new!

Hinges are made of 30% GF polyamide, pins are in 304 stainless steel.

A	B	C	D	E	F	G	H	S	part number	material	finish	weight
40	60	5.2	4	5.7	13	25	19	5.3	54-1-3528	polyamide	black	16g
40	80	5.2	4	5.7	27	25	38	5.3	54-1-3536	polyamide	black	18g
50	75	5.9	5	6.4	31	30	24	6.4	54-1-3538	polyamide	black	28g
60	90	6.5	6	7	36	36	30	6.4	54-1-3532	polyamide	black	40g

