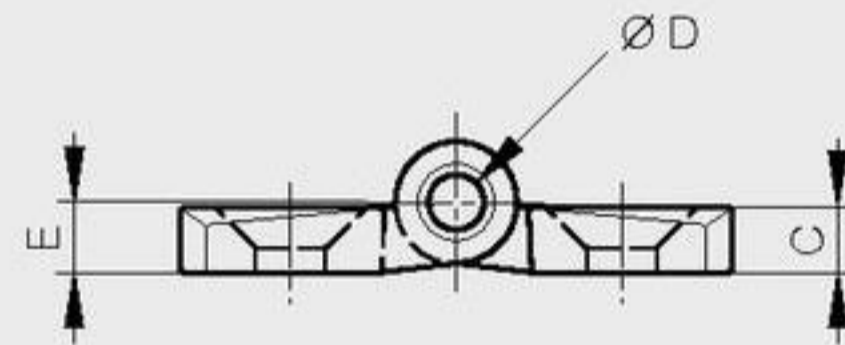
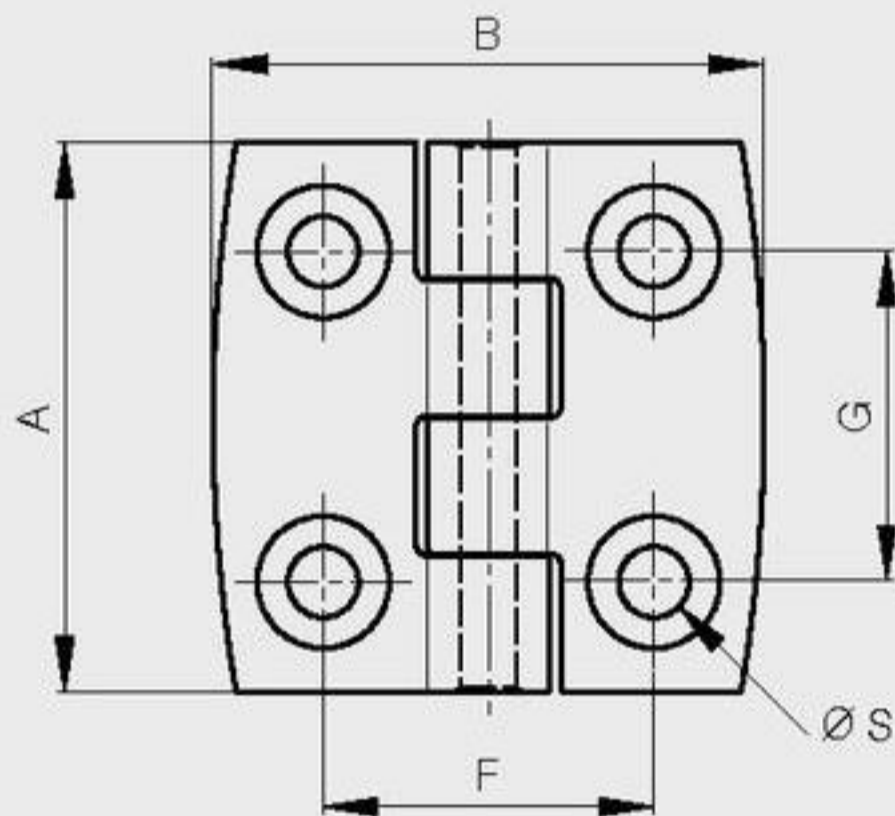


Square design hinges with countersunk holes

new!

Hinges are made of 30% GF polyamide, pins are in 304 stainless steel.

A	B	C	D	E	F	G	S	part number	material	finish	weight
30	30	3	3	3.5	18	18	3.2	54-1-3513	polyamide	black	6g
40	40	5.2	4	5.7	25	25	5.3	54-1-3514	polyamide	black	12g
50	50	5.9	5	6.4	30	30	6.4	54-1-3516	polyamide	black	22g
60	60	6.5	6	7	36	36	6.4	54-1-3518	polyamide	black	32g



Square design hinges with studs

new!

Hinges are made of 30% GF polyamide, pins are in 304 stainless steel.

A	B	C	D	E	F	G	part number	material	finish	weight
60	60	6.5	6	7	36	36	54-1-3519	polyamide	black	54g

