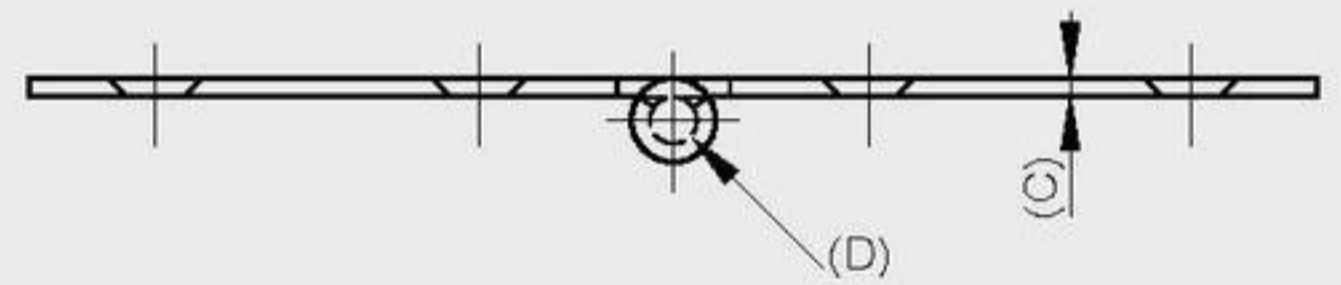
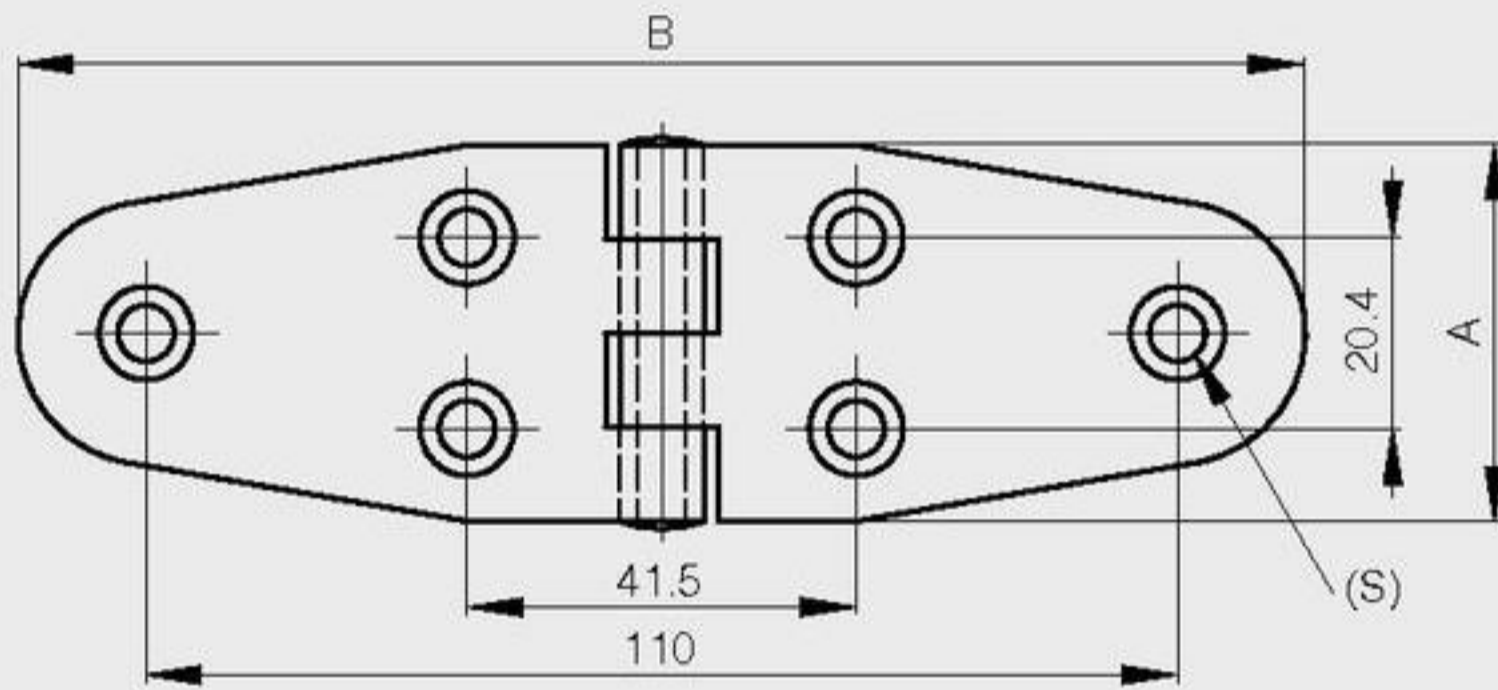


Hinges for marine applications

Riveted pin

The knuckle is on the opposite side from countersunk holes unlike other hinges in this range.

A	B	C	D	S	part number	material	finish	weight
40.1	137.3	2	5	6	52-1-3946	316 stainless steel	polished	80g



Riveted pin

A	B	C	D	S	part number	material	finish	weight
38	178	2	5	6	52-1-3957	316 stainless steel	polished	96g

