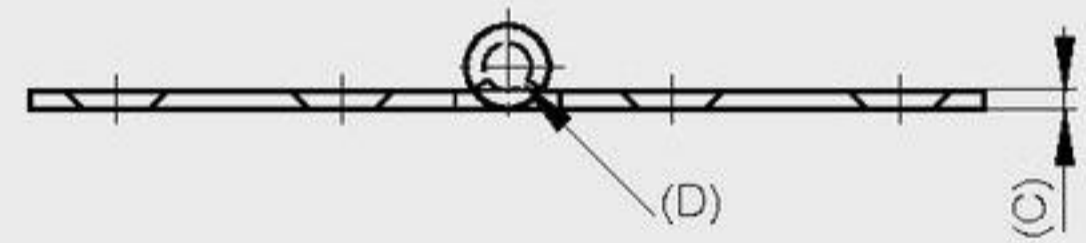
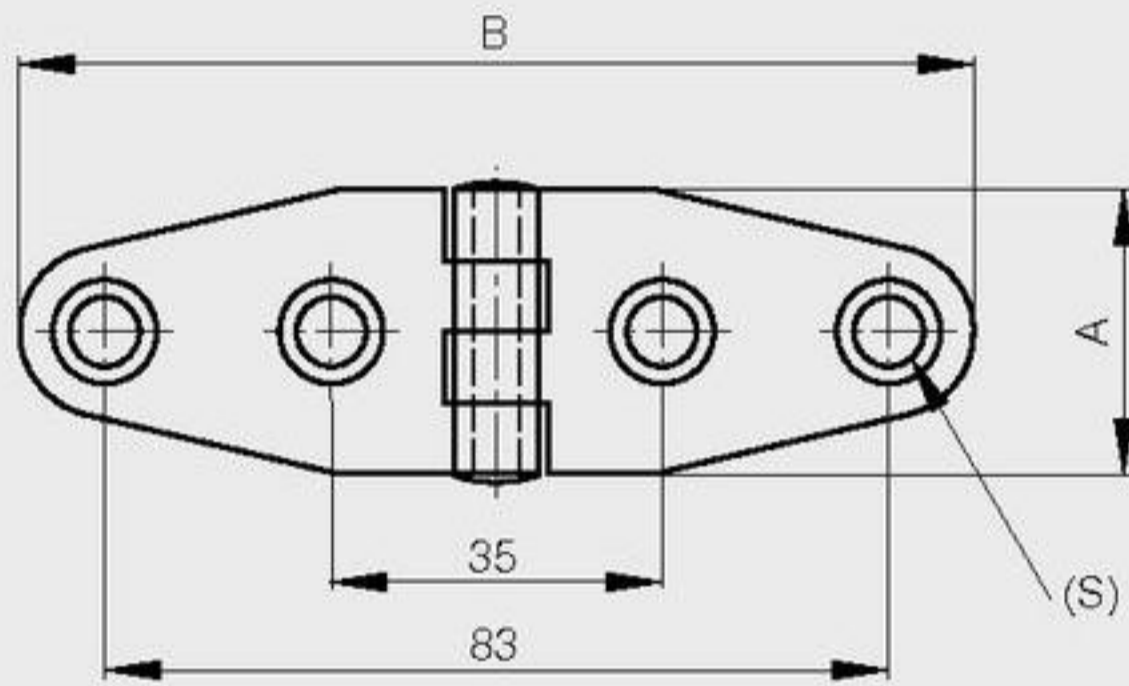


Hinges for marine applications

Riveted pin

A	B	C	D	S	part number	material	finish	weight
30	101	2	5	6	52-1-3954	316 stainless steel	polished	44g



Riveted pin

A	B	C	D	S	part number	material	finish	weight
36.5	76	2	4	6	52-1-3944	316 stainless steel	polished	50g

