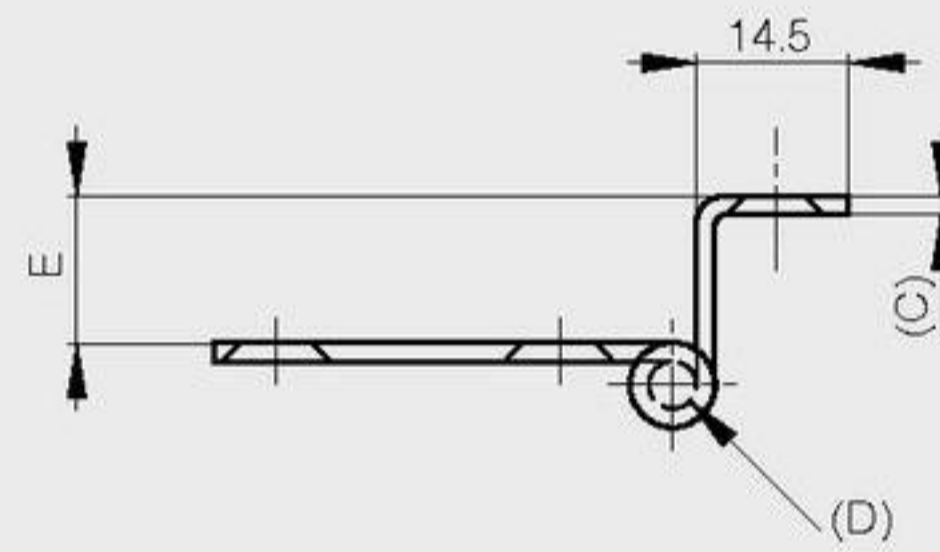
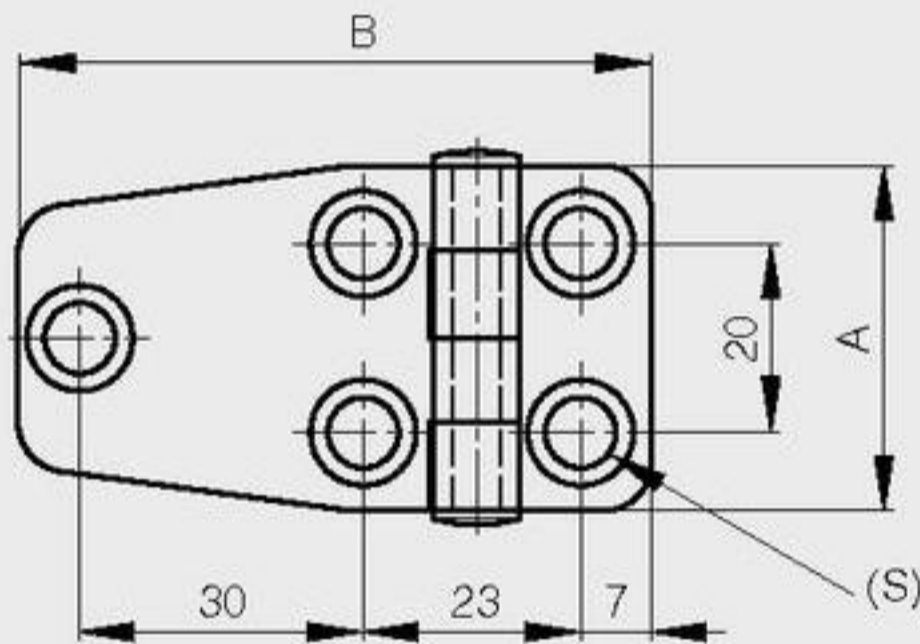


Hinges for marine applications

Riveted pin

A	B	C	D	E	S	part number	material	finish	weight
36.5	48.5	2	5	19.2	6	52-1-3948	316 stainless steel	polished	54g
36.5	48.5	2	5	15.9	6	52-1-3949	316 stainless steel	polished	54g
36.5	48.5	2	5	10	6	52-1-3950	316 stainless steel	polished	54g



Riveted pin

A	B	C	D	S	part number	material	finish	weight
40.1	137.3	2	5	6	52-1-3953	316 stainless steel	polished	80g

