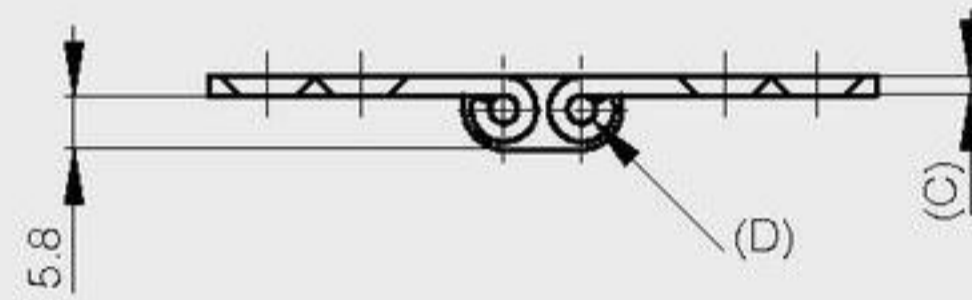
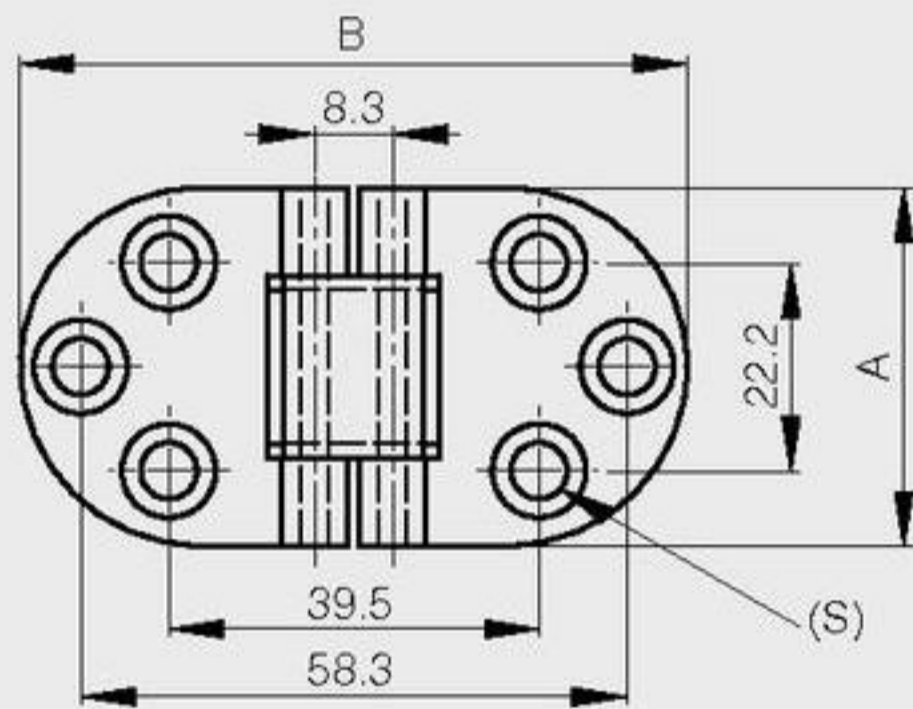


**Hinges for marine applications**

A	B	C	D	S	part number	material	finish	weight
38.1	71.1	2	3	6	52-1-3898	316 stainless steel	polished	42g



**Riveted pin**

A	B	C	D	S	part number	material	finish	weight
52	70	1.2	4	5,2	52-1-3964	316 stainless steel	polished	44g

