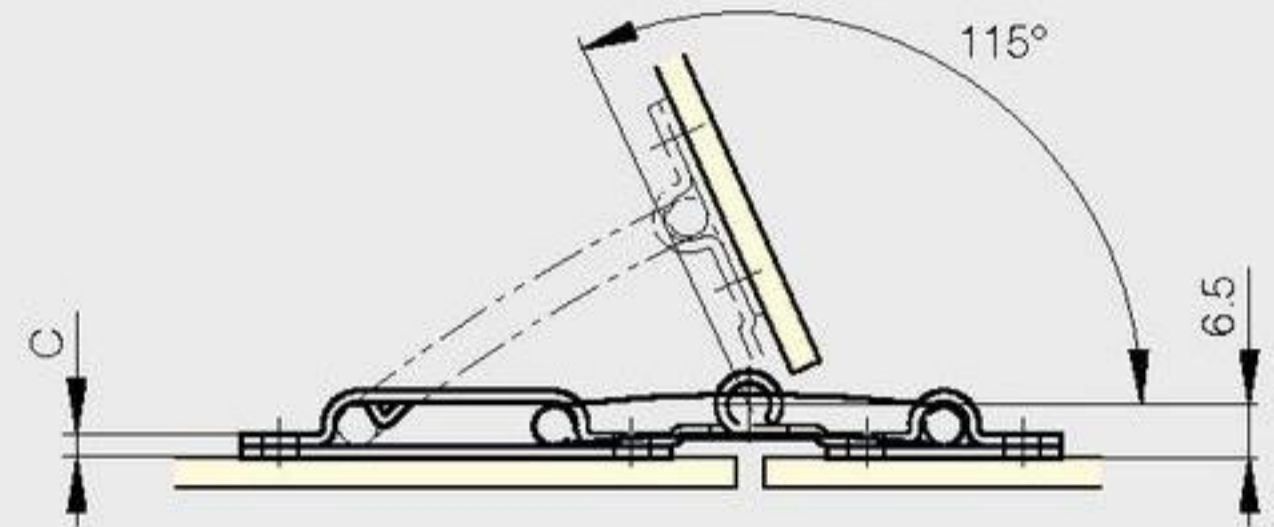
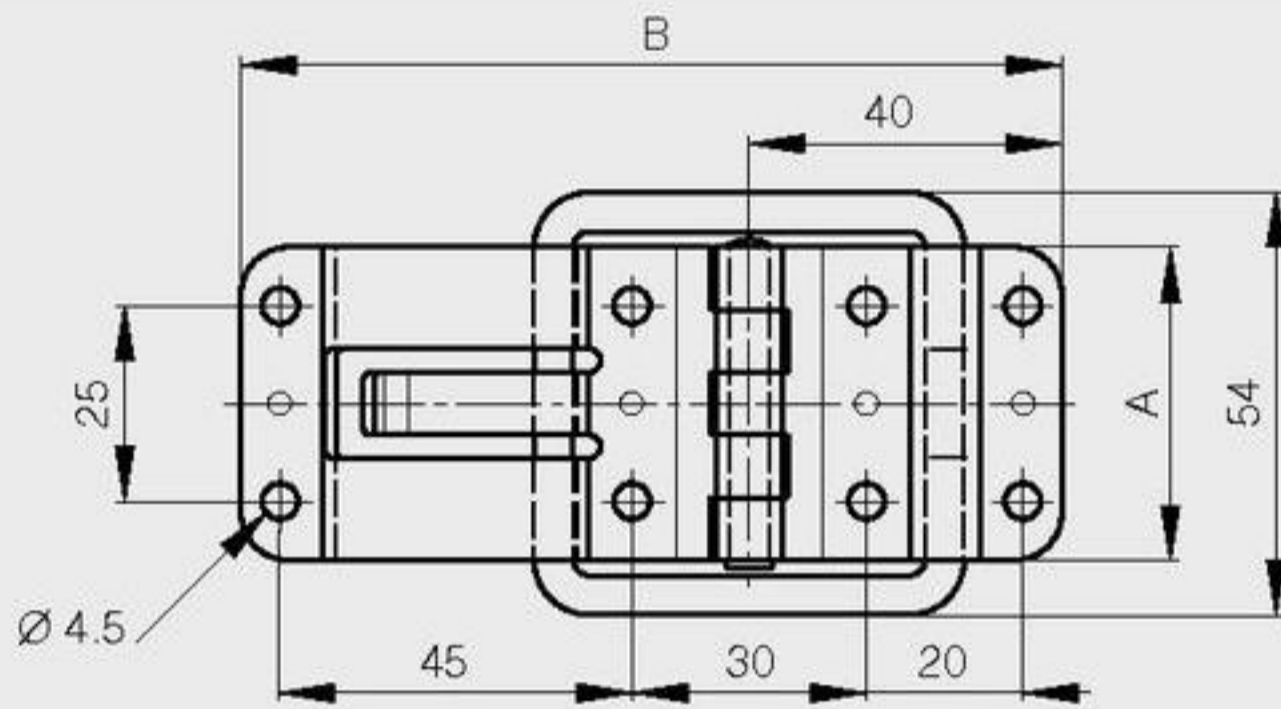


Hinge with stop at 115°

A	B	C	part number	material	finish	weight
40	105	3	52-7-3960	304 stainless steel	polished	122g



Hinge with stop at 60°

Suitable for mounting on glass doors

A	B	C	D	part number	material	finish	weight
35	133	2.5	6	52-1-3840	304 stainless steel	gloss	140g

