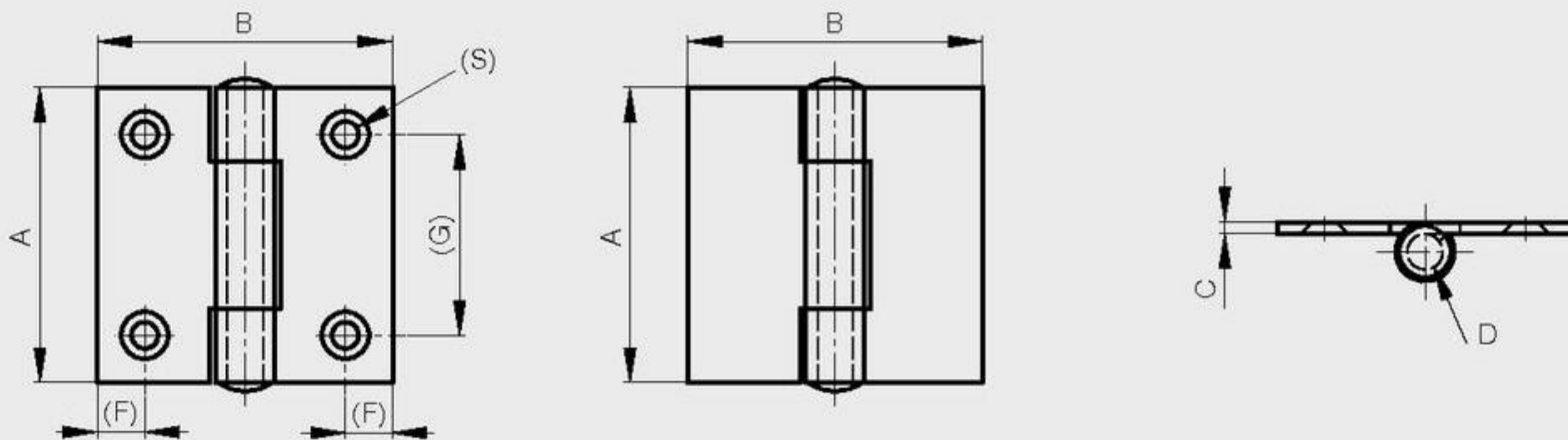


Square hinges with no offset leaf and riveted pin - with 4 holes

Riveted pin

A	B	C	D	F	G	S	part number	material	finish	weight
40	40	2	4	8	24	4	52-1-3861	304 stainless steel	raw	32g
50	50	2	6	8	34	4.5	52-1-3862	304 stainless steel	raw	59g
60	60	2	6	8	40	4.5	52-1-3863	304 stainless steel	raw	80g
40	40	2	4	8	24	4	52-1-3874	316 stainless steel	raw	32g
50	50	2	6	8	34	4.5	52-1-3710	316 stainless steel	raw	59g
60	60	2	6	8	40	4.5	52-1-3875	316 stainless steel	raw	80g



Square hinges with no offset leaf and riveted pin - with 6 holes

Riveted pin

A	B	C	D	F	G	H	S	part number	material	finish	weight
70	70	2	6	8	50	18	4.5	52-1-3867	304 stainless steel	raw	110g
80	80	2.5	6	8	60	20.5	4.5	52-1-3868	304 stainless steel	raw	166g

