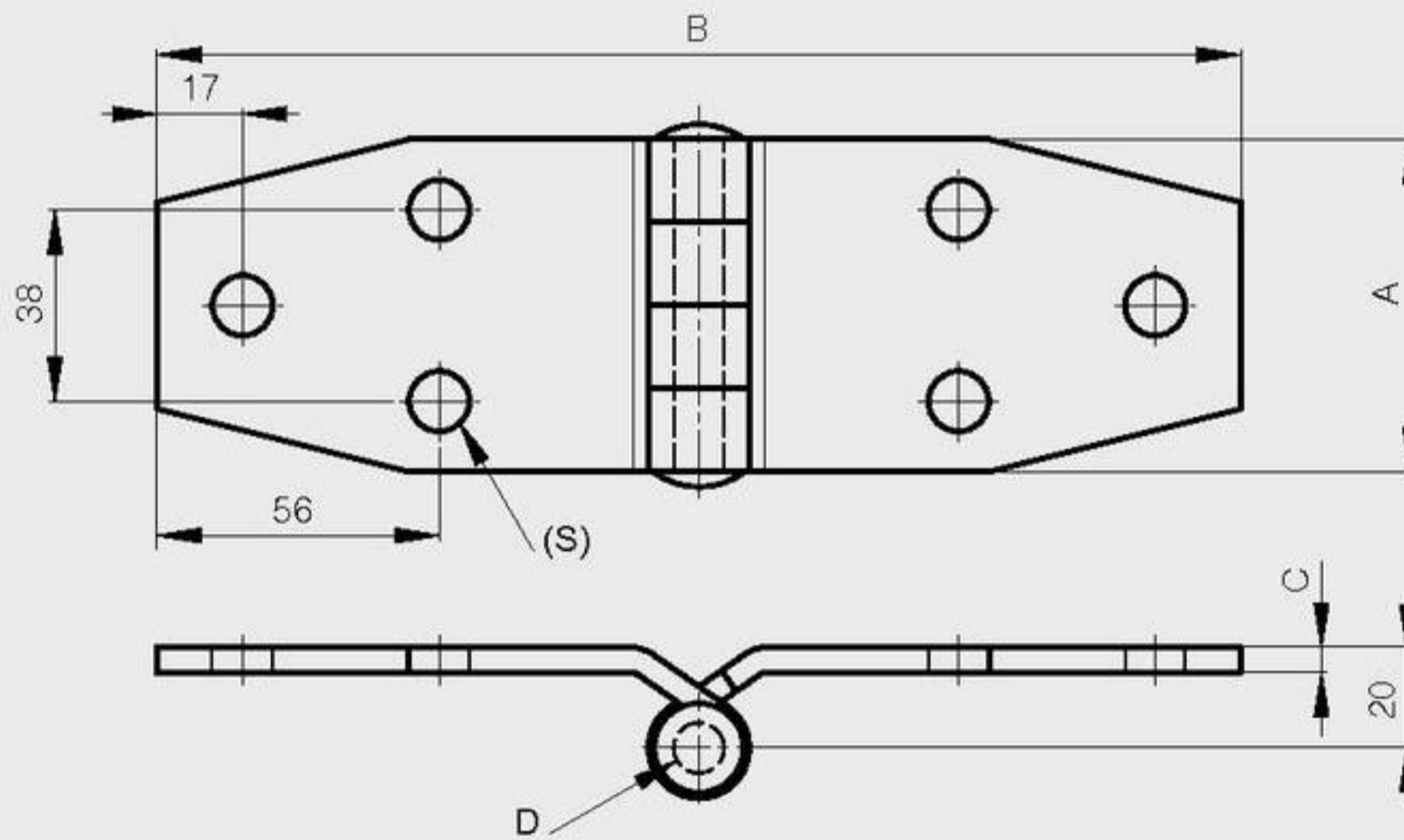


Heavy duty hinge

Stainless steel riveted pin

A	B	C	D	S	part number	material	finish	weight
66	215	5	10	12	50-1-4061	steel	zinc plated	622g



Riveted pin

A	B	C	D	E	S	note	part number	material	finish	weight
65	230	4	10	39	6.5	drilled	52-1-3553	304 stainless steel	brightened	430g
65	230	4	10	39		undrilled	52-1-3593	304 stainless steel	brightened	450g

