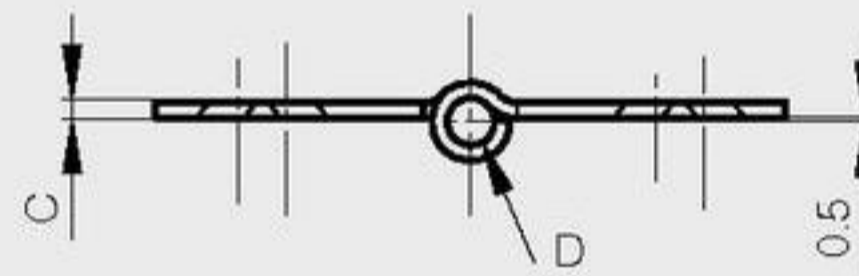
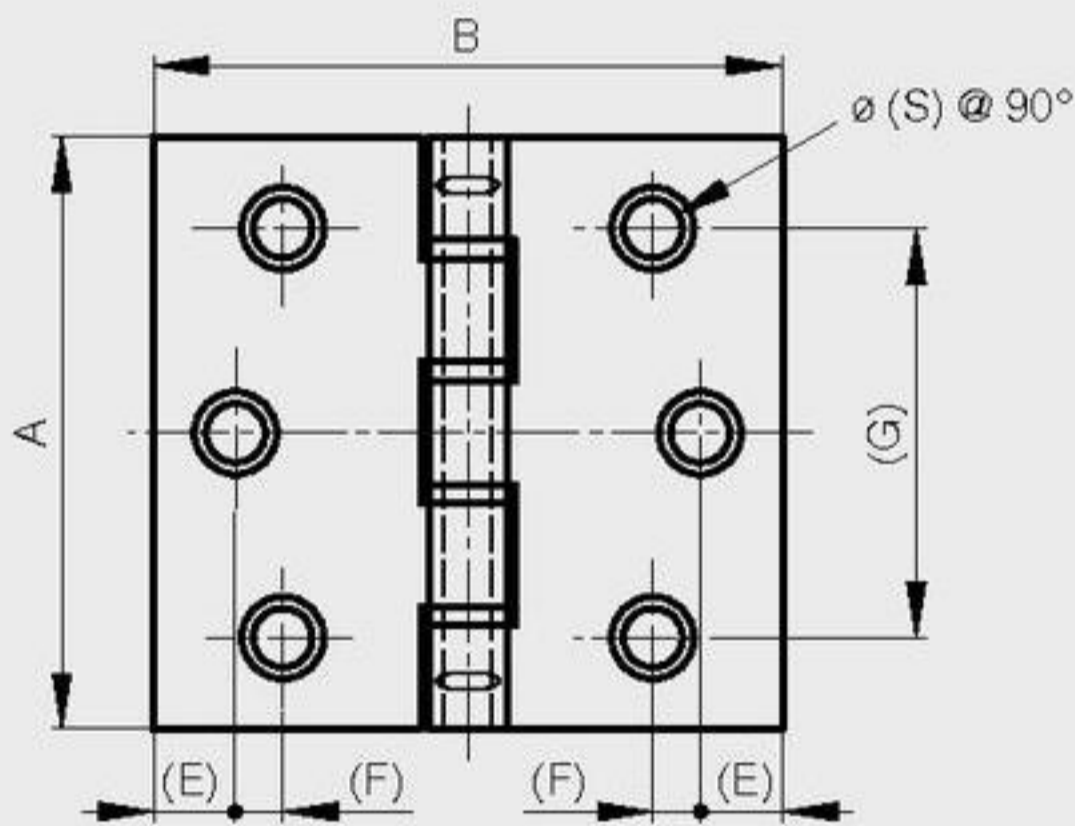


Hinge with nylon washers

Teflon plated pin in 430 stainless steel blocked with 2 punches
 4 nylon washers

A	B	C	D	E	F	G	S	part number	material	finish	weight
75	80	2	6	10.5	6.5	52	7.5	52-1-3790	304 stainless steel	raw	120g



50 x 30 hinge

Drilled hinge with riveted pin

A	B	C	D	F	G	S	part number	material	finish	weight
50	30	1	3	6.5	35	3.5	52-1-3571	304 stainless steel	raw	16g

