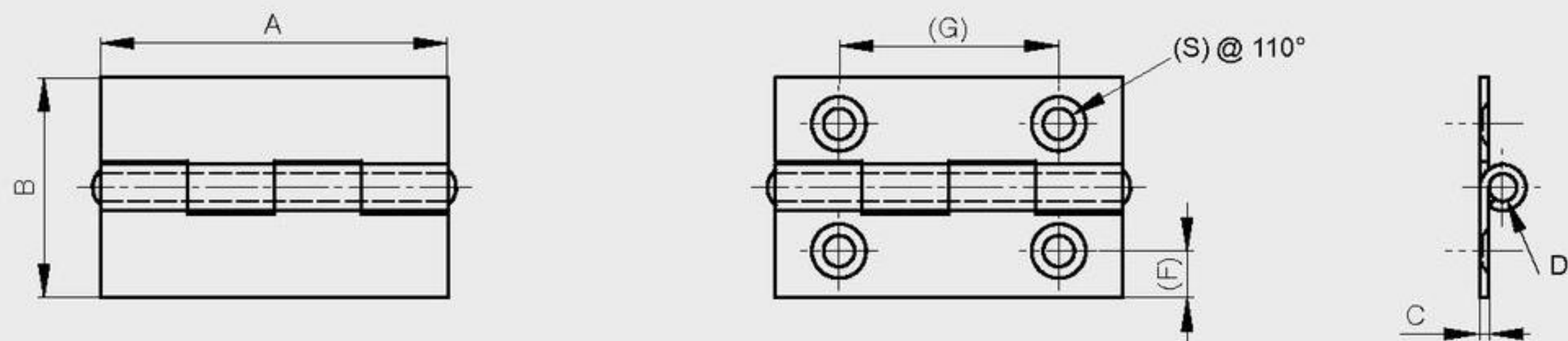


Hinges

Only part number 50-7-3558 has a riveted pin

A	B	C	D	F	G	S	note	part number	material	finish	weight
30	19	0.8	2.4	4	19	2	drilled	50-7-3617	steel	raw	5.5g
30	19	0.8	2.4				undrilled	50-7-3618	steel	raw	5.6g
35	22	0.8	2.4	4	22	2.5	drilled	50-7-3549	steel	raw	7g
35	22	0.8	2.4				undrilled	50-7-3557	steel	raw	7.5g
40	25	0.9	2.7				undrilled	50-7-3558	steel	raw	10.2g
40	25	0.9	2.7	5	27	2.5	drilled	50-7-3550	steel	raw	10g
50.3	29.8	1	2.4	7.2	35.2	2.5	drilled	50-7-3551	steel	raw	15g
50.3	29.8	1	2.4				undrilled	50-7-3559	steel	raw	15.5g



All hinges have riveted pins except 50-7-3552, 50-7-3553, 50-7-3561

A	B	C	D	F	G	S	note	part number	material	finish	weight
60	35	1	3	8	44	2.5	drilled	50-7-3552	steel	raw	22.5g
60	35	1	3				undrilled / headed pin	50-7-3560	steel	raw	23g
70	41.5	1	3.5	8.7	52	3	drilled	50-7-3553	steel	raw	39g
70	41.5	1	3.5				undrilled	50-7-3561	steel	raw	40g
80	45	1.2	3.9				undrilled / headed pin	50-7-3562	steel	raw	48g
80.5	45.4	1	3.5	9.6	59.3	4	drilled / headed pin	50-7-3554	steel	raw	47g
100	50	1.5	4.9	10	77	4.5	drilled / headed pin	50-7-3556	steel	raw	85g
100	50	1.5	4.9				undrilled / headed pin	50-7-3564	steel	raw	86g

