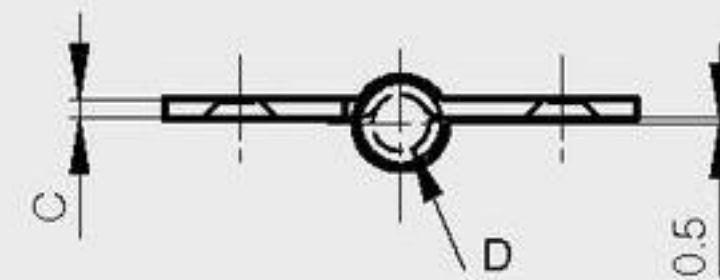
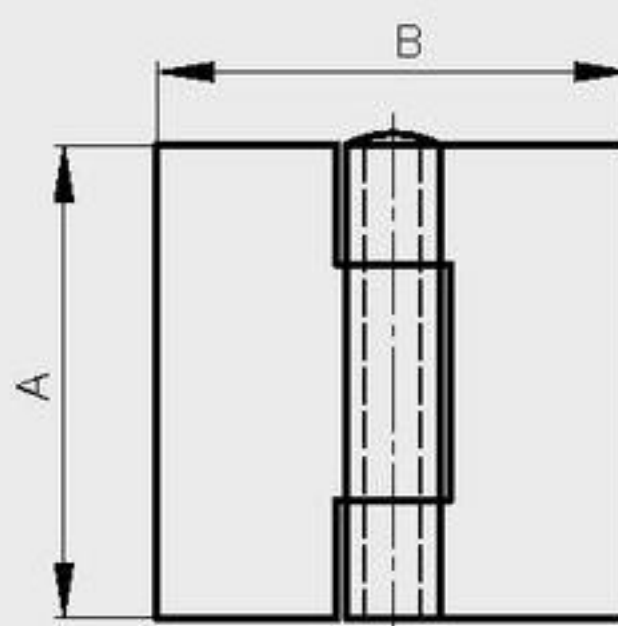
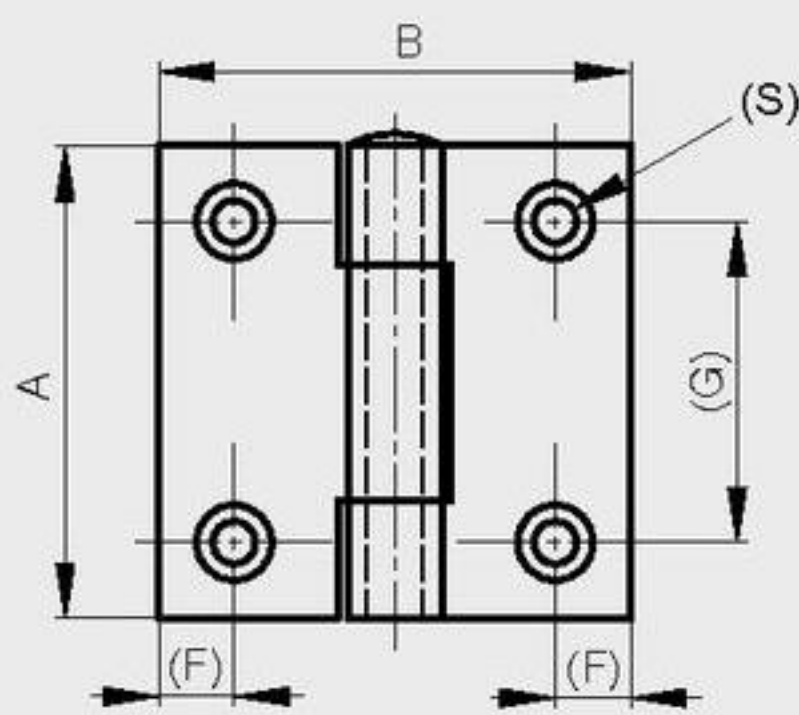


Square hinges with two offset leaves and removable pin - no holes

Removable pin

A	B	C	D	part number	material	finish	weight
40	40	2	4	50-7-3347	steel	raw	36g
50	50	2	6	50-7-3348	steel	raw	64g
60	60	2	6	50-7-3349	steel	raw	84g
70	70	2	6	50-7-3350	steel	raw	112g
80	80	2.5	6	50-7-3351	steel	raw	168g
100	100	2.5	6	50-7-3353	steel	raw	248g



Square hinges with two offset leaves and removable pin - with 4 holes

Removable pin

A	B	C	D	F	G	S	part number	material	finish	weight
40	40	2	4	7	24	4	50-7-3580	steel	zinc plated	34g
50	50	2	6	8	34	4.5	50-7-3581	steel	zinc plated	61g
60	60	2	6	8	40	4.5	50-7-3582	steel	zinc plated	82g
40	40	2	4	8	24	4	52-1-3608	304 stainless steel	raw	34g
50	50	2	6	8	34	4.5	52-1-3610	304 stainless steel	raw	61g
60	60	2	6	8	40	4.5	52-1-3612	304 stainless steel	raw	82g

