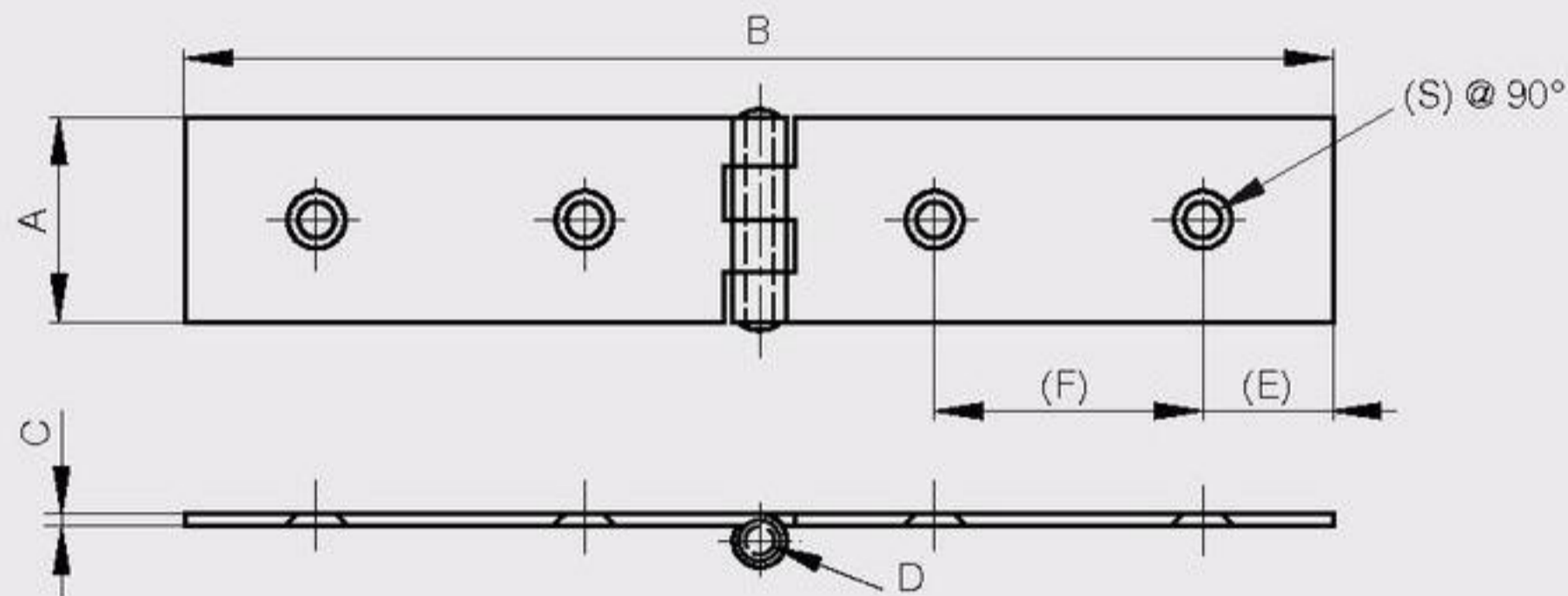


## Hinges

A	B	C	D	E	F	S	part number	material	finish	weight
20	80	1.2	3	10	16	3	50-7-3736	steel	raw	22g
22	120	1.5	4.9	13.5	30	4	50-7-3737	steel	raw	36g



Available drilled or undrilled depending on part numbers

A	B	C	D	E	F	S	note	part number	material	finish	weight
30	140	2.5	6	12.5	35	4	drilled	50-7-3339	steel	zinc plated	95g
30	160	3	6	13.5	45	4	drilled	50-7-3340	steel	zinc plated	127g
30	140	2.5	6				undrilled	50-7-3343	steel	raw	95g
30	160	3	6				undrilled	50-7-3344	steel	raw	130g
30	220	3	6				undrilled	50-7-3346	steel	raw	174g

