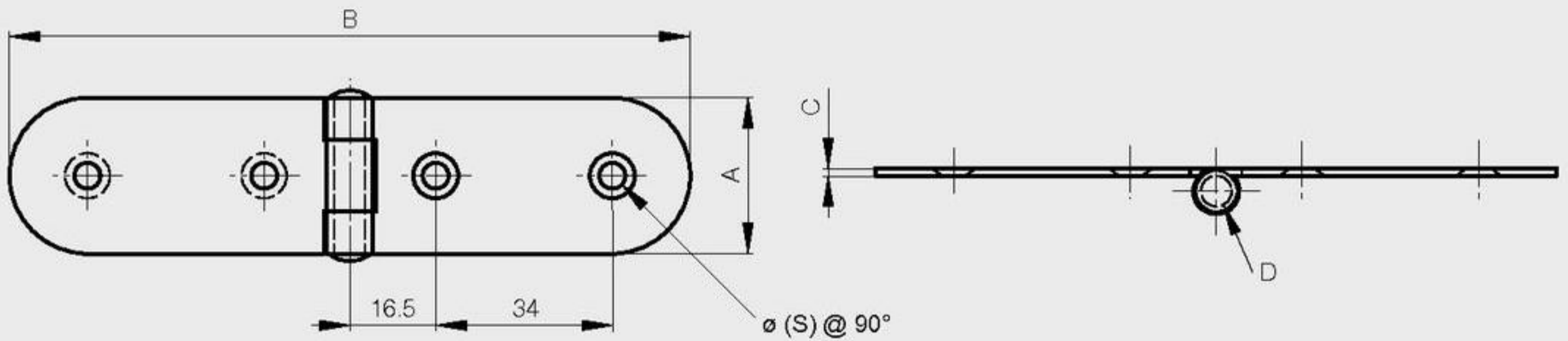


Hinges

Drilled and countersunk hinges

Countersink of male leaf is on the opposite side of female leaf

A	B	C	D	S	part number	material	finish	weight
30	130	1.5	6	4	50-7-3333	steel	raw	55g
40	190	2	8	4	50-7-3334	steel	raw	138g



A	B	C	D	S	part number	material	finish	weight
30	83	1.5	3.4	5.5	50-1-3313	steel	nickel plated	30g

