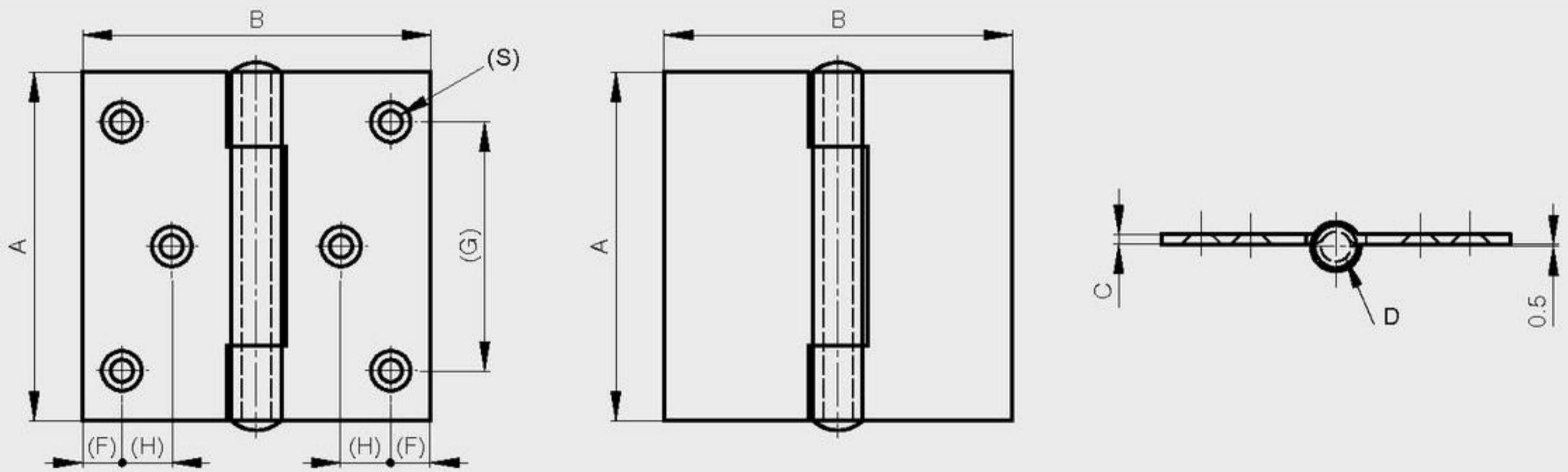


**Square hinges with two offset leaves and riveted pin - with 6 holes**

Riveted pin

A	B	C	D	F	G	H	S	part number	material	finish	weight
70	70	2	6	8	50	18	4.5	52-1-3615	304 stainless steel	raw	156g
80	80	2.5	6	8	60	20.5	4.5	52-1-3617	304 stainless steel	raw	164g



**Square hinges with no offset leaf and riveted pin - no holes**

Riveted pin

A	B	C	D	part number	material	finish	weight
40	40	2	4	50-1-3916	steel	raw	34g
50	50	2.5	4.5	50-1-3648	steel	raw	75g
50	50	2	6	50-1-3917	steel	raw	61g
60	60	2	6	50-1-3918	steel	raw	82g
70	70	2	6	50-1-3919	steel	raw	112g
80	80	2.5	6	50-1-3920	steel	raw	168g
100	100	2.5	6	50-1-3921	steel	raw	248g
40	40	2	4	52-1-3679	304 stainless steel	raw	34g
50	50	2	6	52-1-3694	304 stainless steel	raw	61g
60	60	2	6	52-1-3695	304 stainless steel	raw	82g
70	70	2	6	52-1-3864	304 stainless steel	raw	112g
80	80	2.5	6	52-1-3865	304 stainless steel	raw	168g
100	100	2.5	6	52-1-3866	304 stainless steel	raw	248g
40	40	2	4	52-1-3869	316 stainless steel	raw	34g
50	50	2	6	52-1-3870	316 stainless steel	raw	61g
60	60	2	6	52-1-3871	316 stainless steel	raw	82g

