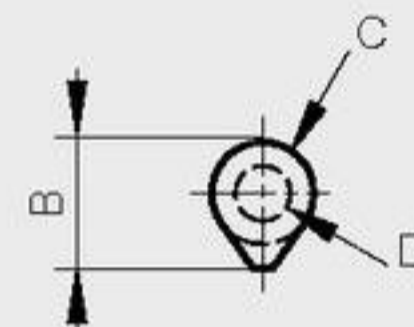


Flat top weld-on stainless steel hinges - stainless steel pin - brass washer

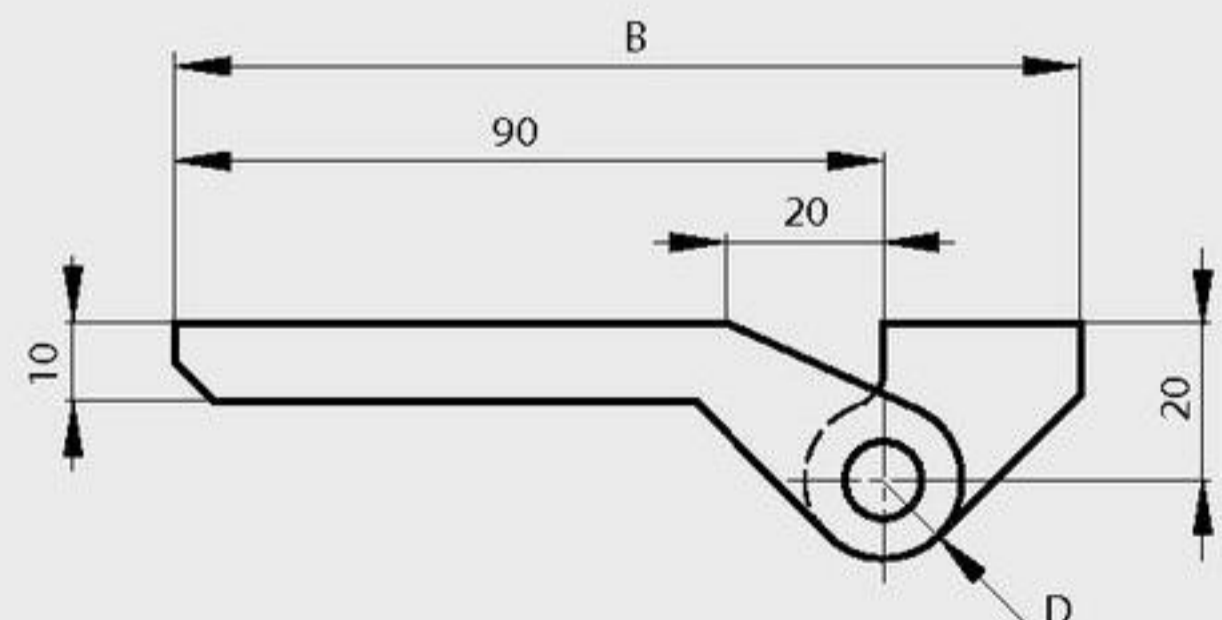
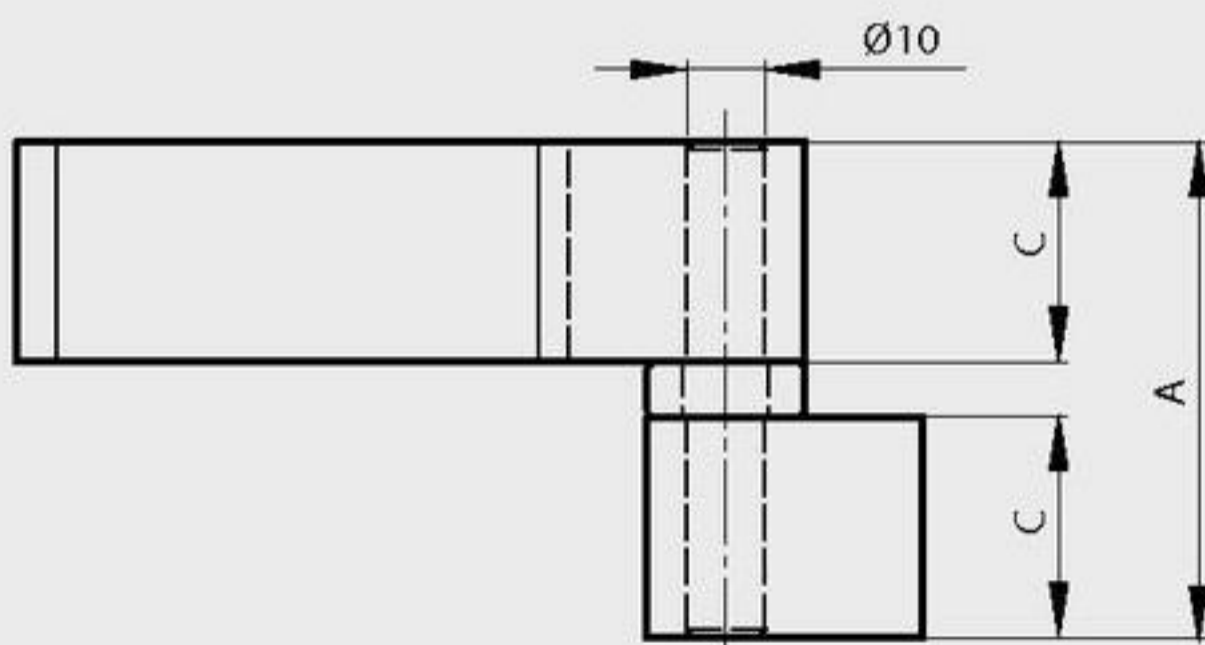
Fixed pin

A	B	C	D	part number	material	finish	weight
60	12	10	6	14-7-3693	304 stainless steel	raw	40g
80	16	13	7	14-7-3696	304 stainless steel	raw	90g
100	20	16	9	14-7-3697	304 stainless steel	raw	115g
120	20	16	9	14-7-3698	304 stainless steel	raw	135g



Swivel pin with ball bearing

A	B	C	D	part number	material	finish	weight
63	115	28	10	14-1-3630	steel	raw	482g



Ball bearing

Ball bearing with inside diameter 11mm for swivel pin 14-1-3630

part number	material	finish
27-7-3647	steel	zinc plated