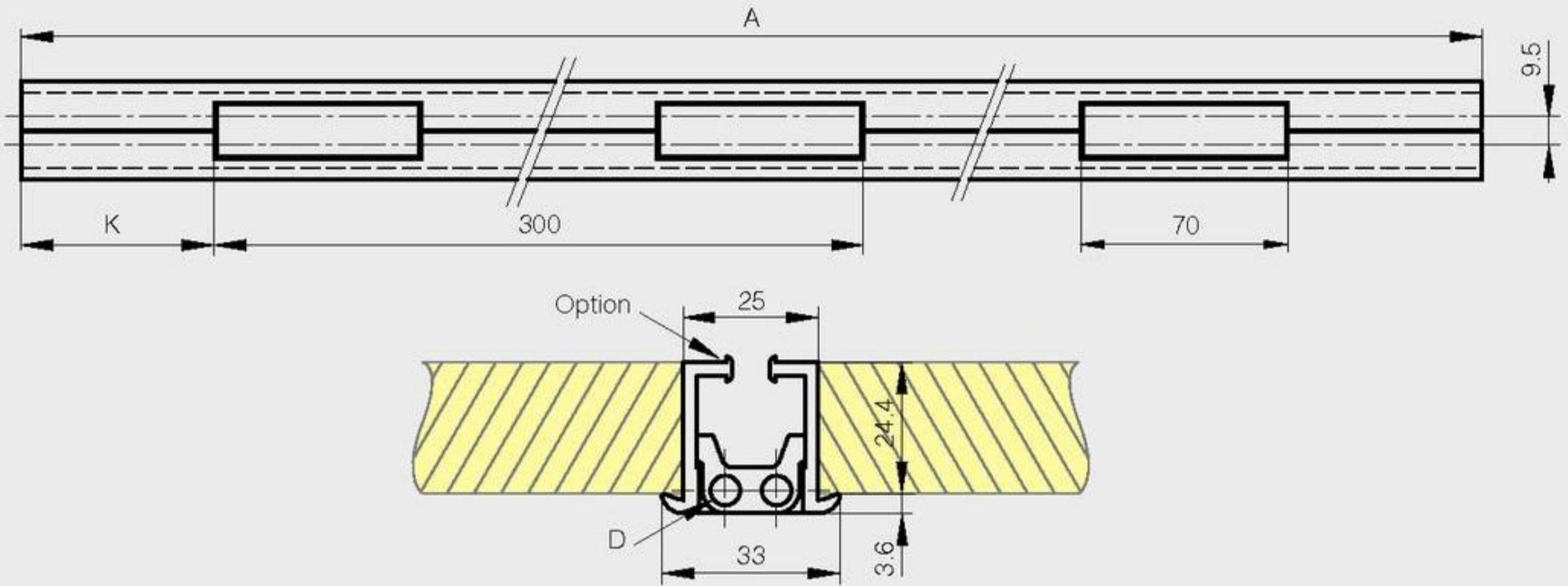


Double knuckle continuous hinge

Hinge in aluminium profile for 180° opening angle.
 Delivered without watertight gasket (to be ordered separately).
 With fixed friction washers
 Non-drilled hinge.



A	D	K	material	finish	part number	pin material	weight
2000	5	65	alu 6060 T5	clear anodised	73-1-3520	304 stainless steel	2500g
2500	5	15	alu 6060 T5	clear anodised	73-1-3521	304 stainless steel	3140g
3000	5	115	alu 6060 T5	clear anodised	73-1-3522	304 stainless steel	3780g



Seal gasket for double knuckle continuous hinge

Gasket made of soft rubber with a steel clip-on core and foam rubber

A	material	part number
2000	reinforced rubber profile	27-1-3816
2500	reinforced rubber profile	27-1-3817
3000	reinforced rubber profile	27-1-3818

