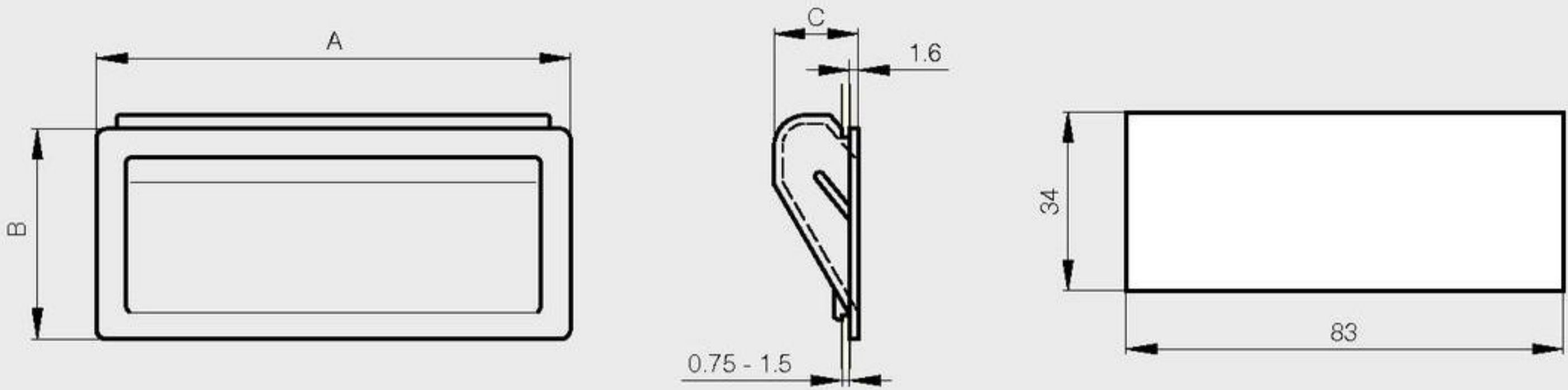


### Snap-in flush handle

Door thickness : 0.75 to 1.5 mm

A	B	C	part number	material	finish	weight
90	40	16	19-1-3687	polyamide	black	11g



### Recessed handle

**new!**

Snap-in

A	B	C	part number	material	finish	weight
120	58	43	19-7-3838	elastomer	black	95g

