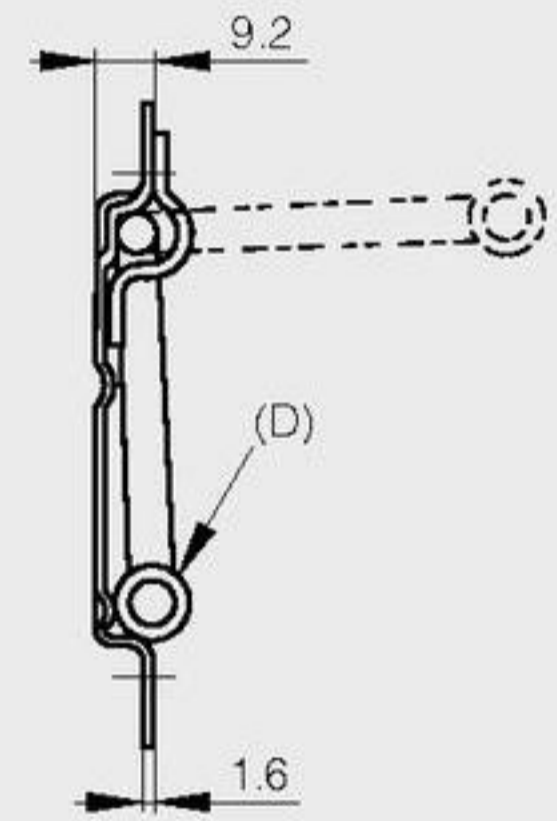
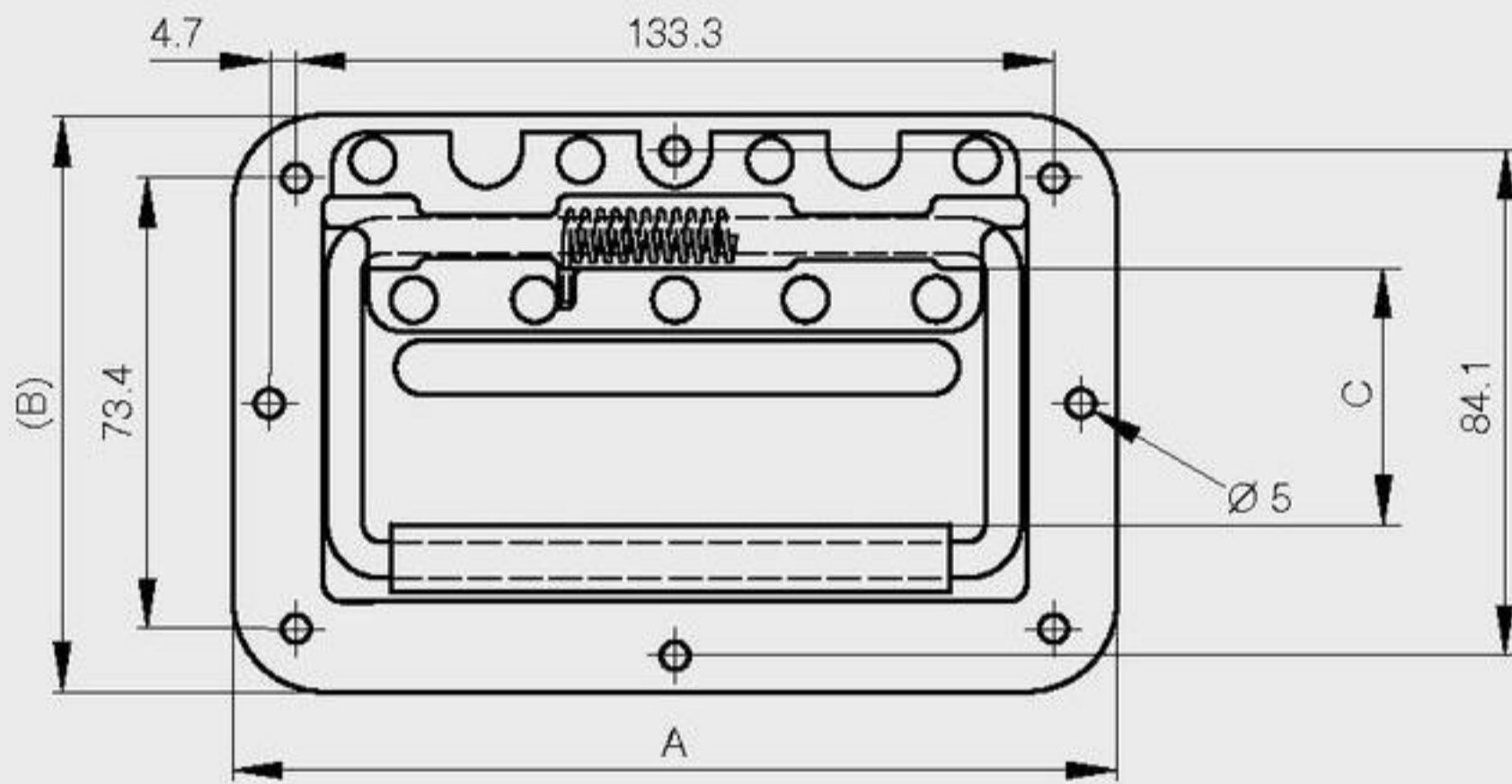


Recessed spring loaded drop handles

Maximum load : 57kg
 With 90° stop.
 Cut-out dimension : 78.7 x 132

A	B	C	D	part number	material	finish	weight
155.5	101.6	46	13.5	19-7-3750	steel	black epoxy	385g
155.5	101.6	42.9	19	19-7-3751	steel	zinc plated	385g
155.5	101.6	46	13.5	19-7-3749	steel	zinc plated	385g



Recessed spring loaded drop handles

Maximum load : 68kg
 With 90° stop.
 Cut-out dimension : 99 x 146

A	B	C	part number	material	finish	weight
177.8	127	62	19-7-3757	steel	black epoxy	567g
177.8	127	62	19-7-3756	steel	zinc plated	567g

