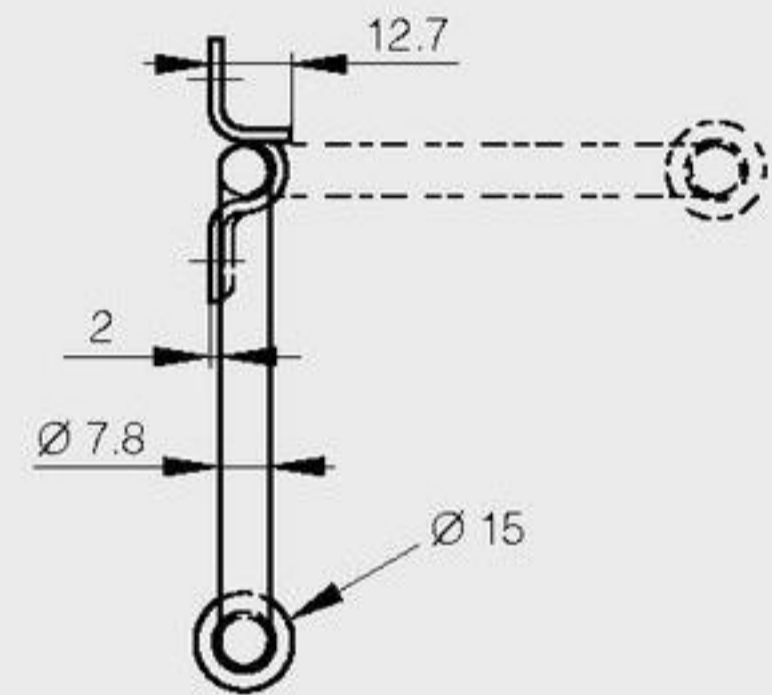
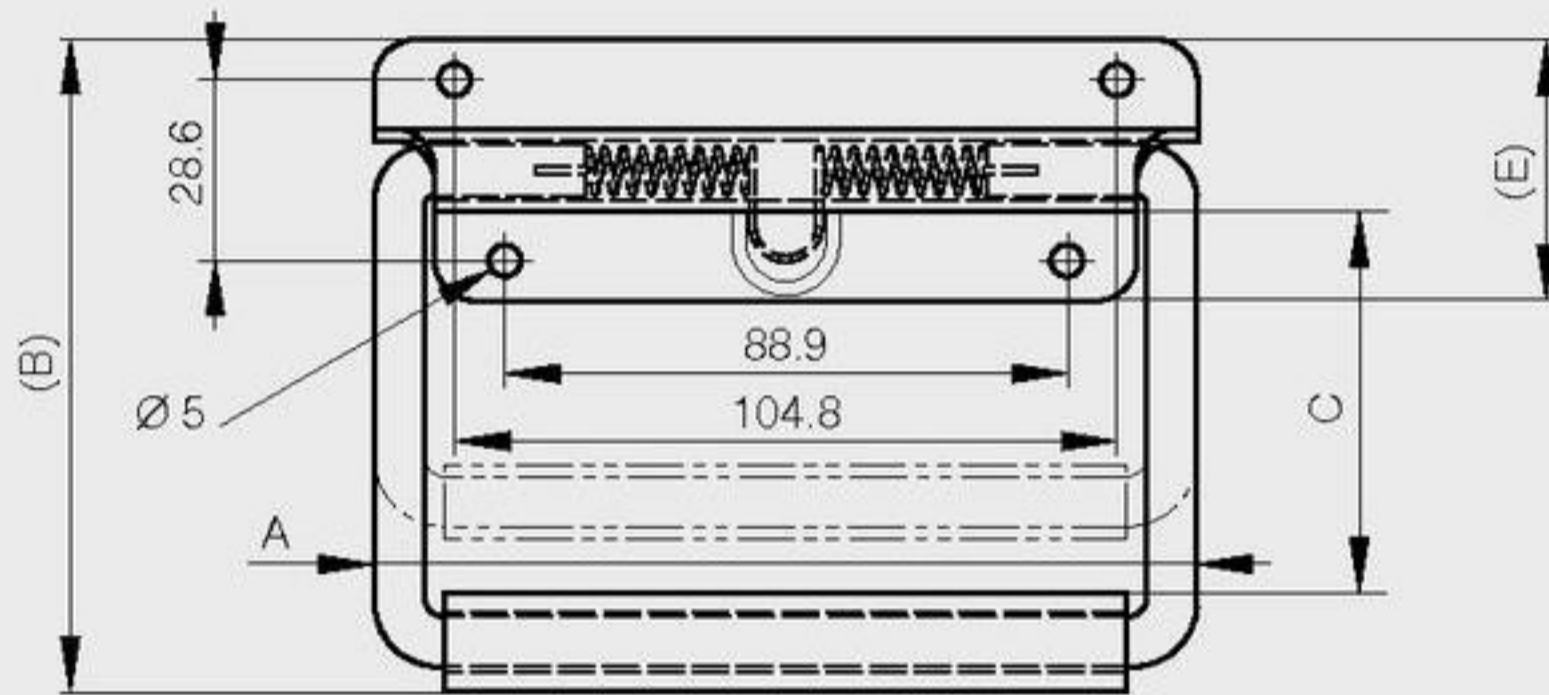


### Spring loaded handles

Maximum load: 45kg  
 With 90° stop.  
 Rubber grip.

A	B	C	E	part number	material	finish	weight
130.3	82.6	38.1	39.6	19-7-3745	steel	zinc plated	272g
130.3	104.1	60.4	39.6	19-7-3740	steel	zinc plated	272g
130.3	82.6	38.1	41.9	19-7-3746	stainless steel	raw	272g
130.3	104.1	60.4	41.9	19-7-3741	stainless steel	raw	272g



Maximum load : 54kg.  
 With 90° stop.

A special aluminium sleeve located between the rubber grip and the bail assures the grip will not ride up on the bail during lifting. Adds comfort and durability.

Fungus resistant neoprene.

Meets military specifications MIL.T.945, MIL.C.4150.

A	B	C	part number	material	finish	weight
130	112.7	50.8	19-7-3725	stainless steel	raw	317g

