

Spring loaded handles

Maximum load : 68kg.

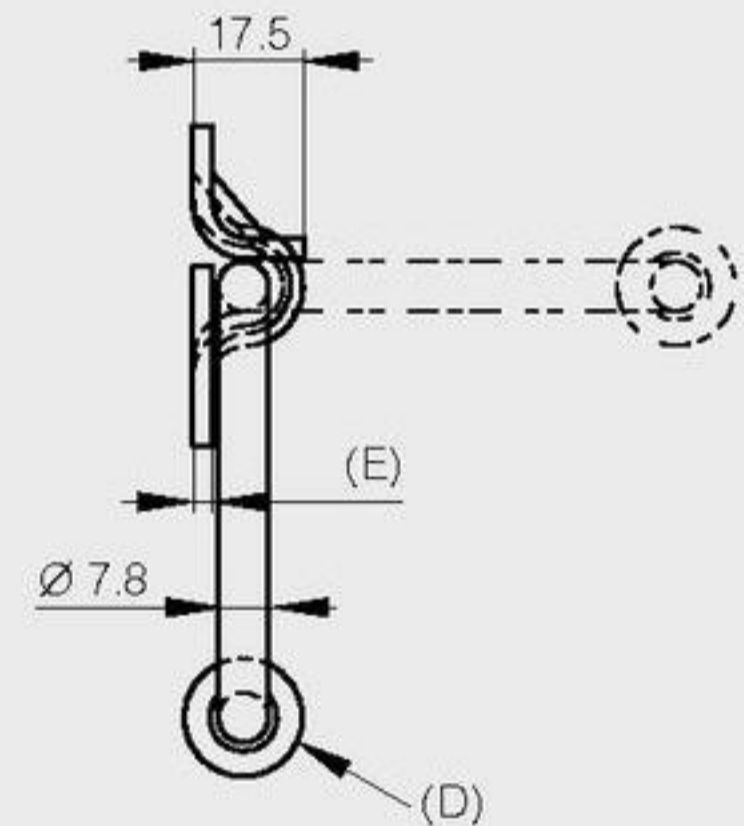
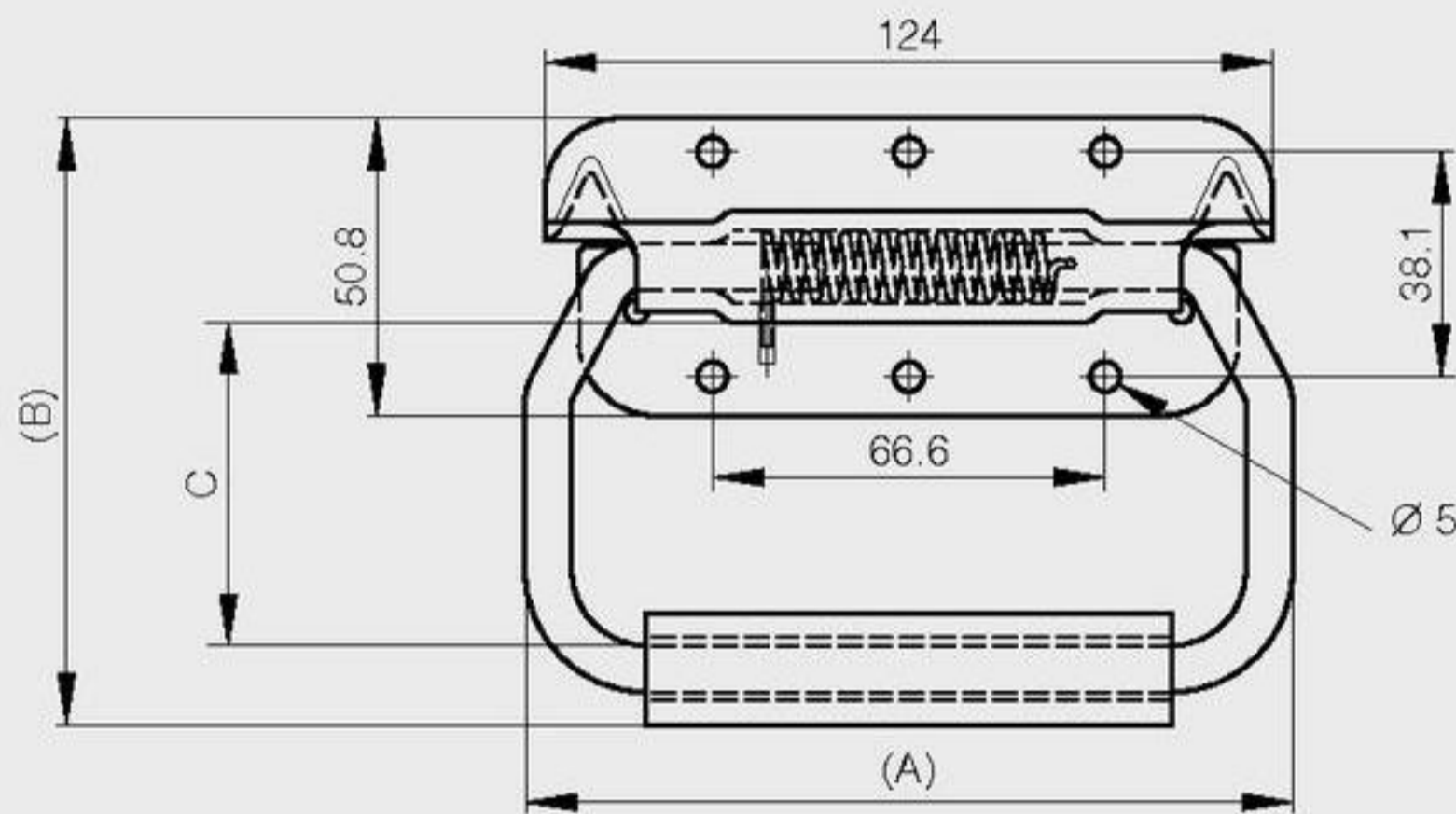
With 90° stop.

A special aluminium sleeve located between the rubber grip and the bail assures the grip will not ride up on the bail during lifting. Adds comfort and durability.

Fungus resistant neoprene.

Meets military specifications MIL.T.945, MIL.C.4150.

A	B	C	D	E	part number	material	finish	weight
130	101.6	50.8	14.2	2.3	19-7-3729	steel	zinc plated	275g
130	104.1	50.8	19	2.3	19-7-3730	steel	zinc plated	136g



Spring loaded handles - 180° opening

Maximum load : 34kg.

With 180° stop.

Rubber grip.

A	B	C	part number	material	finish	weight
130	75.4	46	19-7-3710	steel	black epoxy	227g
130	75.4	46	19-7-3711	stainless steel	passivated	227g

