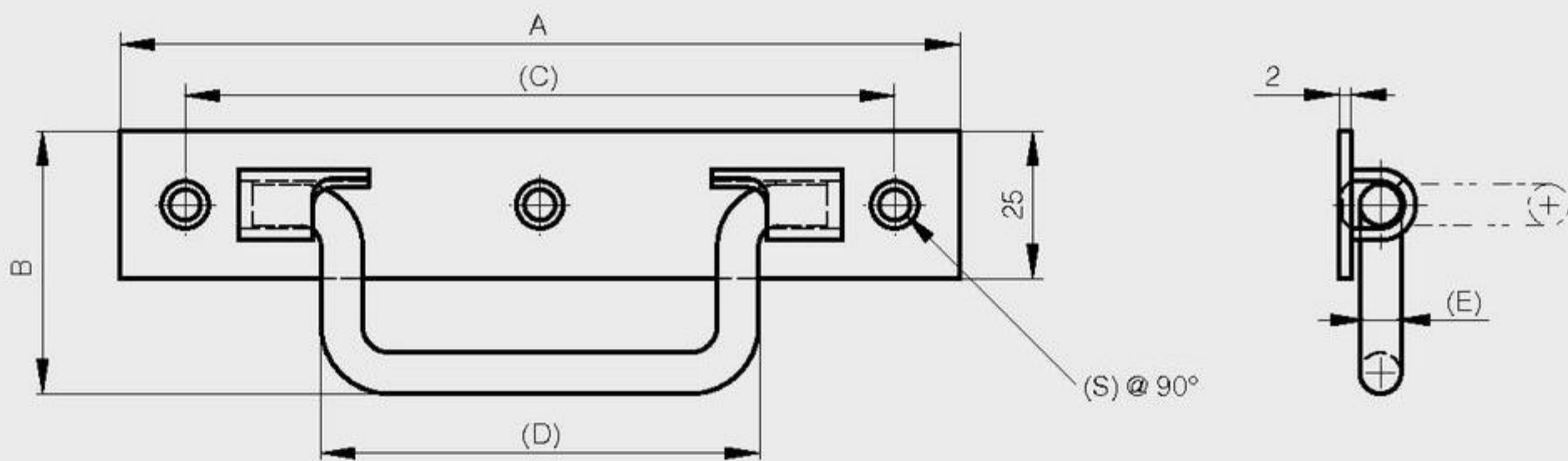


Drop handles

With 90° stop.

A	B	C	D	E	S	note	part number	material	finish	weight
142	44.5	120	74	7	5.2	load : 35 kg	19-7-3333	steel	raw	115g
160	49.6	138	93.5	8	5.2	load : 45 kg	19-7-3334	steel	raw	142g
187	49.6	162	109	8	5.2	load : 45 kg	19-7-3335	steel	raw	155g
142	44.5	120	74	7	5.2	load : 35 kg	19-7-3515	steel	zinc plated	115g
160	49.6	138	93.5	8	5.2	load : 45 kg	19-7-3535	steel	zinc plated	142g
187	49.6	162	109	8	5.2	load : 45 kg	19-7-3649	steel	zinc plated	155g



With 90° stop.

A	B	C	D	E	S	note	part number	material	finish	weight
160	54	130	89	7	5.2	load : 35 kg / chamfered angles	19-7-3690	304 stainless steel	raw	120g

