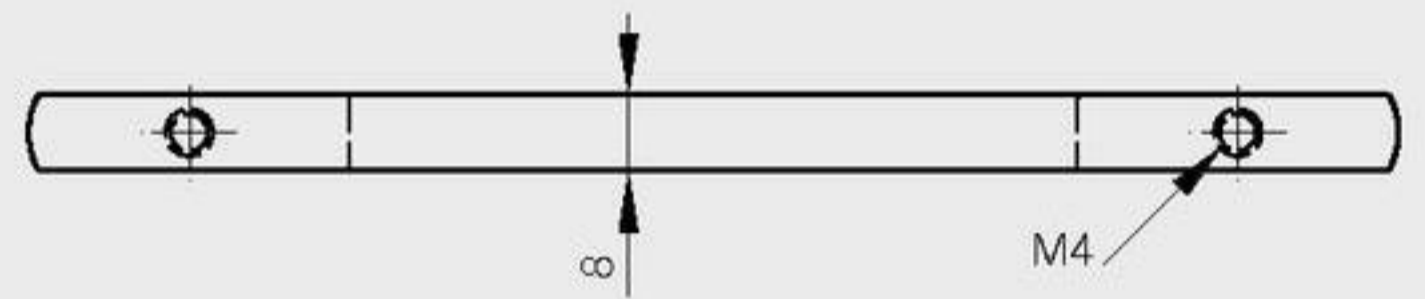
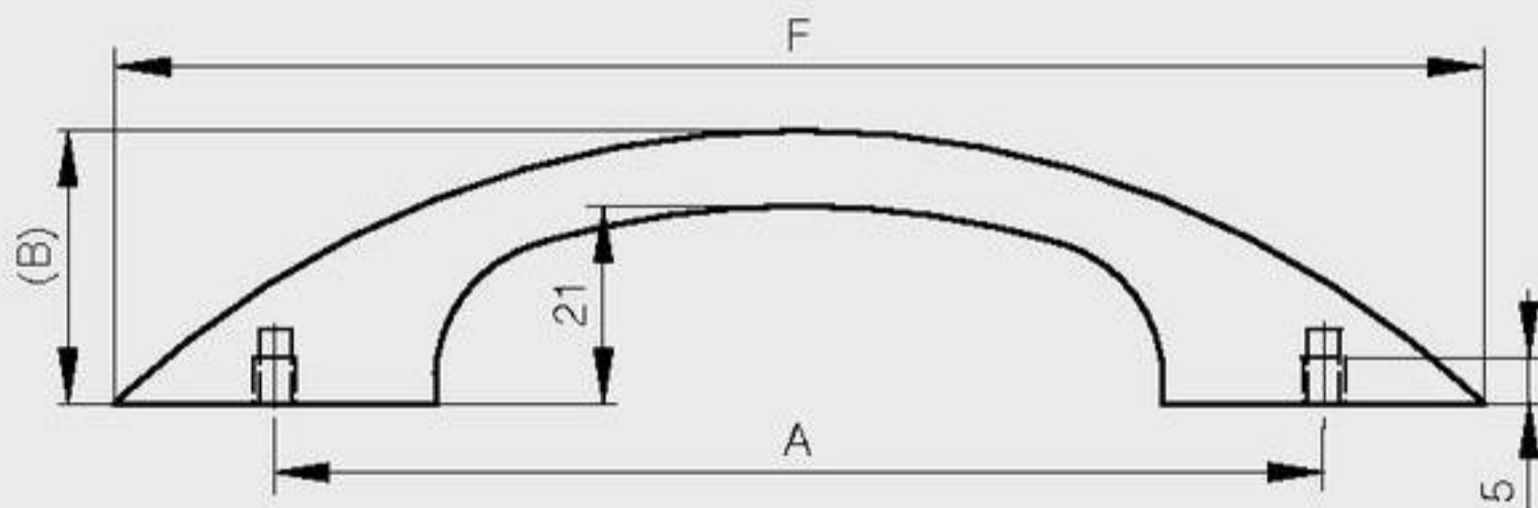


Rear mounted handles

A	B	F	part number	material	finish	weight
111	29	145	19-7-3527	zinc die-cast	chrome plated	54.8g



A	B	F	part number	material	finish	weight
88	40	102	19-7-3644	alu	matt black	50g
120	40	134	19-7-3645	alu	matt black	60g

