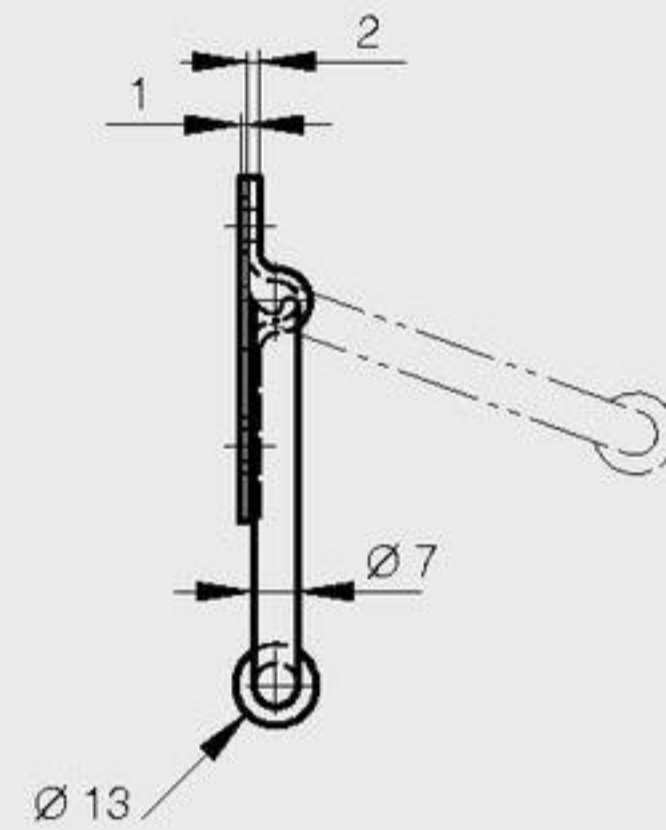
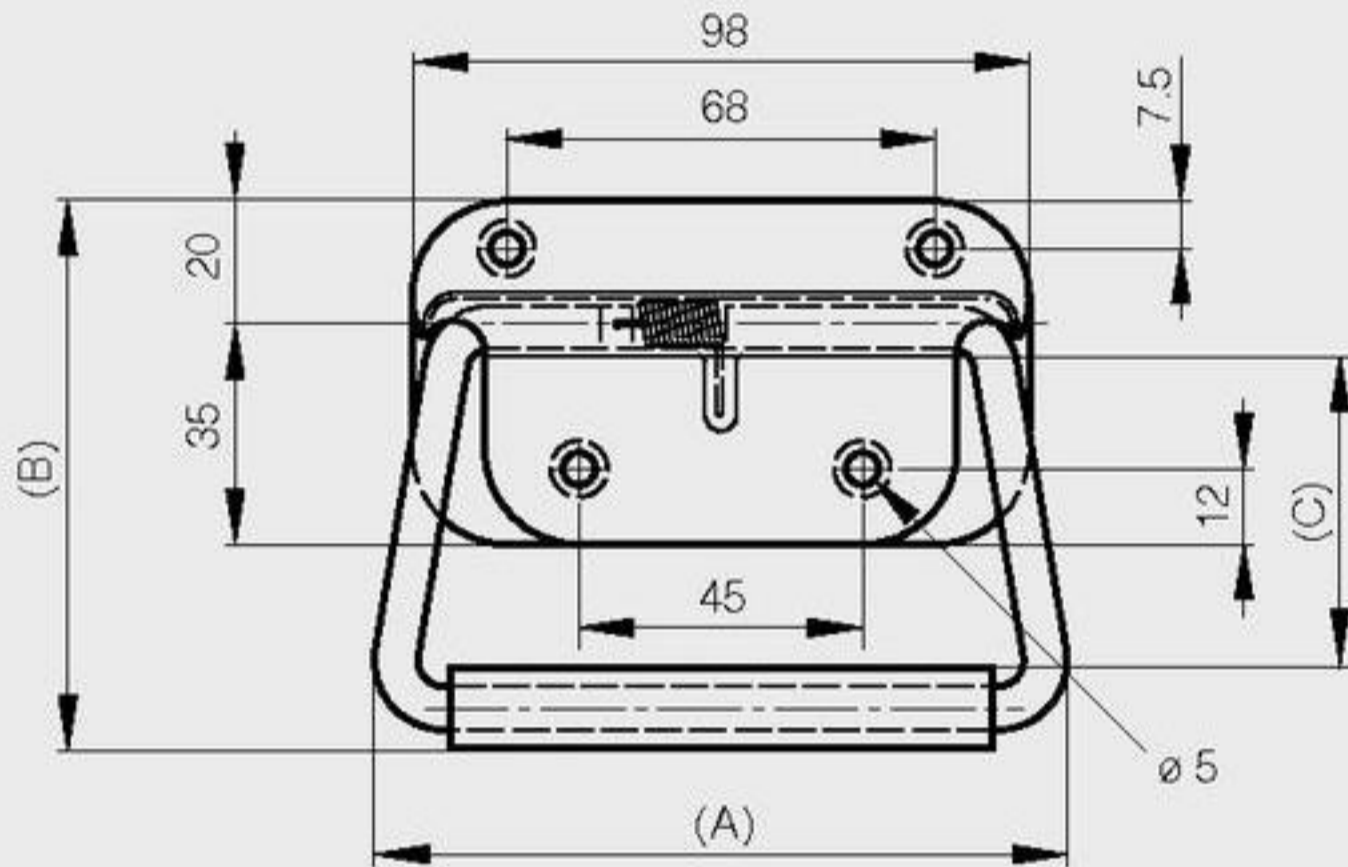


Spring loaded handles

Maximum load : 25kg.
 With 70° stop.

A	B	C	part number	material	finish	weight
110	87	50.5	19-7-3641	steel	zinc plated	210g



Maximum load : 45kg
 With 90° stop.
 Rubber grip.

A	B	C	D	part number	material	finish	weight
130	81.3	48.3	15	19-7-3733	steel	zinc plated	226g
130	81.3	48.3	19	19-7-3734	steel	zinc plated	226g

