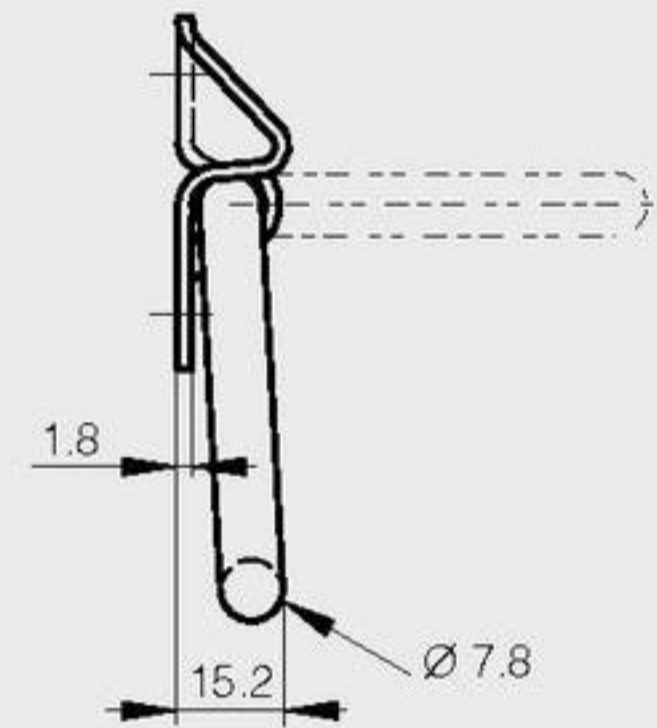
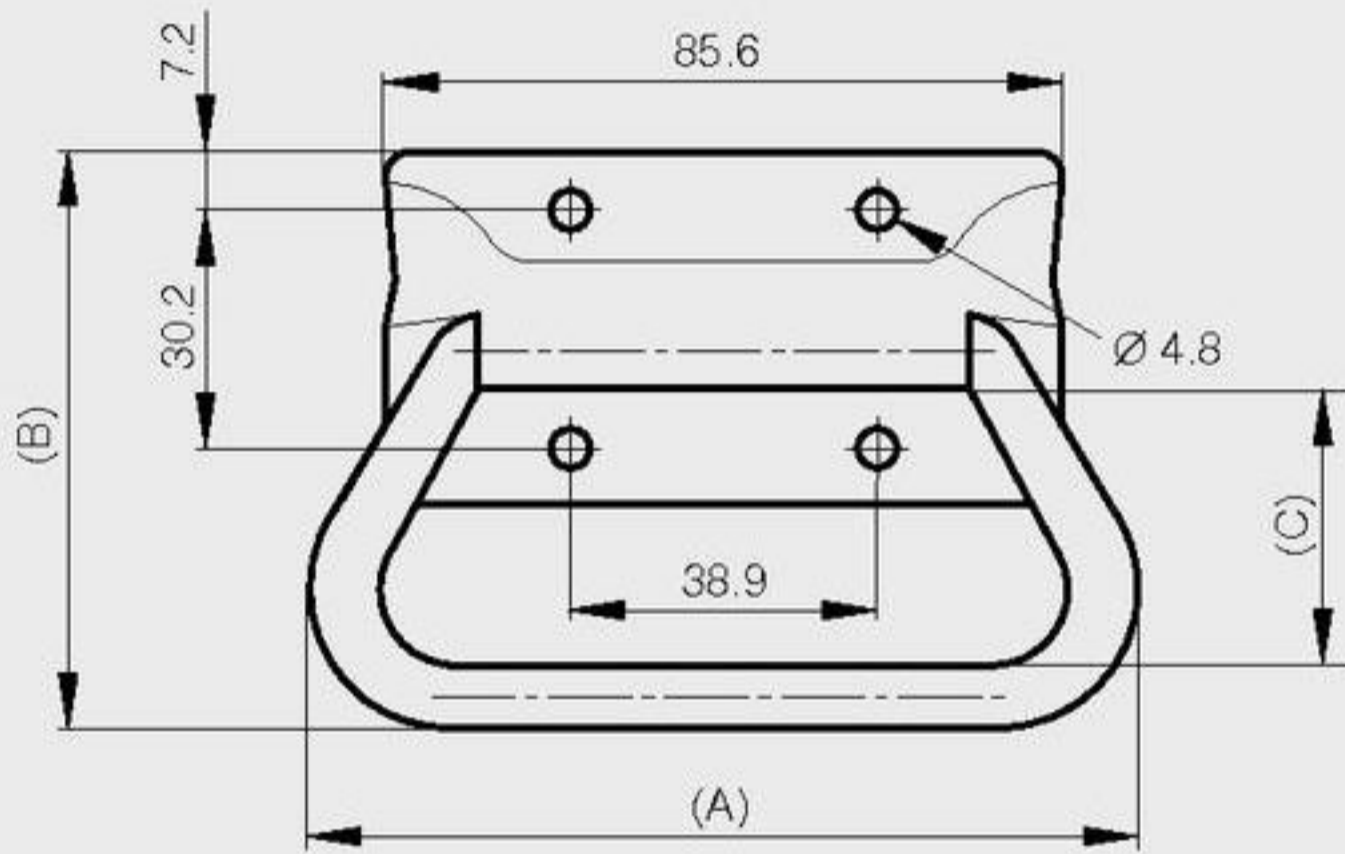


Drop handle

Maximum load : 90kg.
 With 90° stop.

A	B	C	part number	material	finish	weight
104.8	73.7	34.9	19-7-3721	steel	zinc plated	181g



Maximum load : 60kg
 With 80° stop.

A	B	C	part number	material	finish	weight
140	87	38	19-7-3341	steel	raw	180g
140	87	38	19-7-3638	steel	zinc plated	180g

