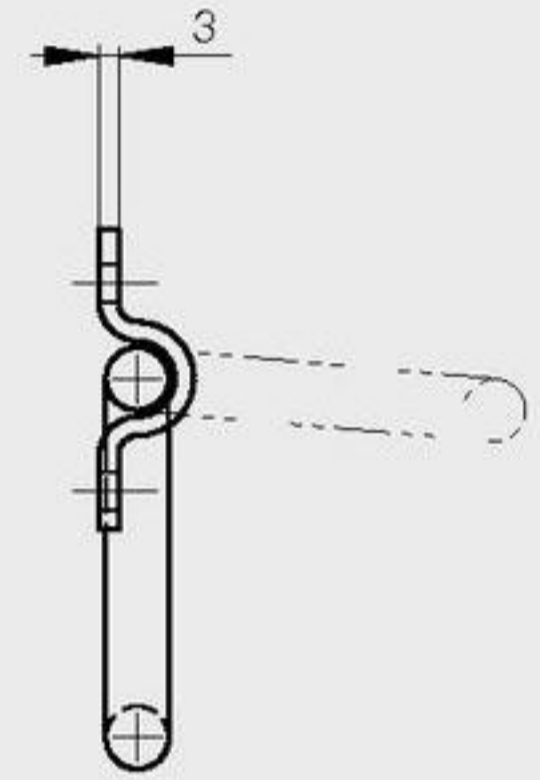
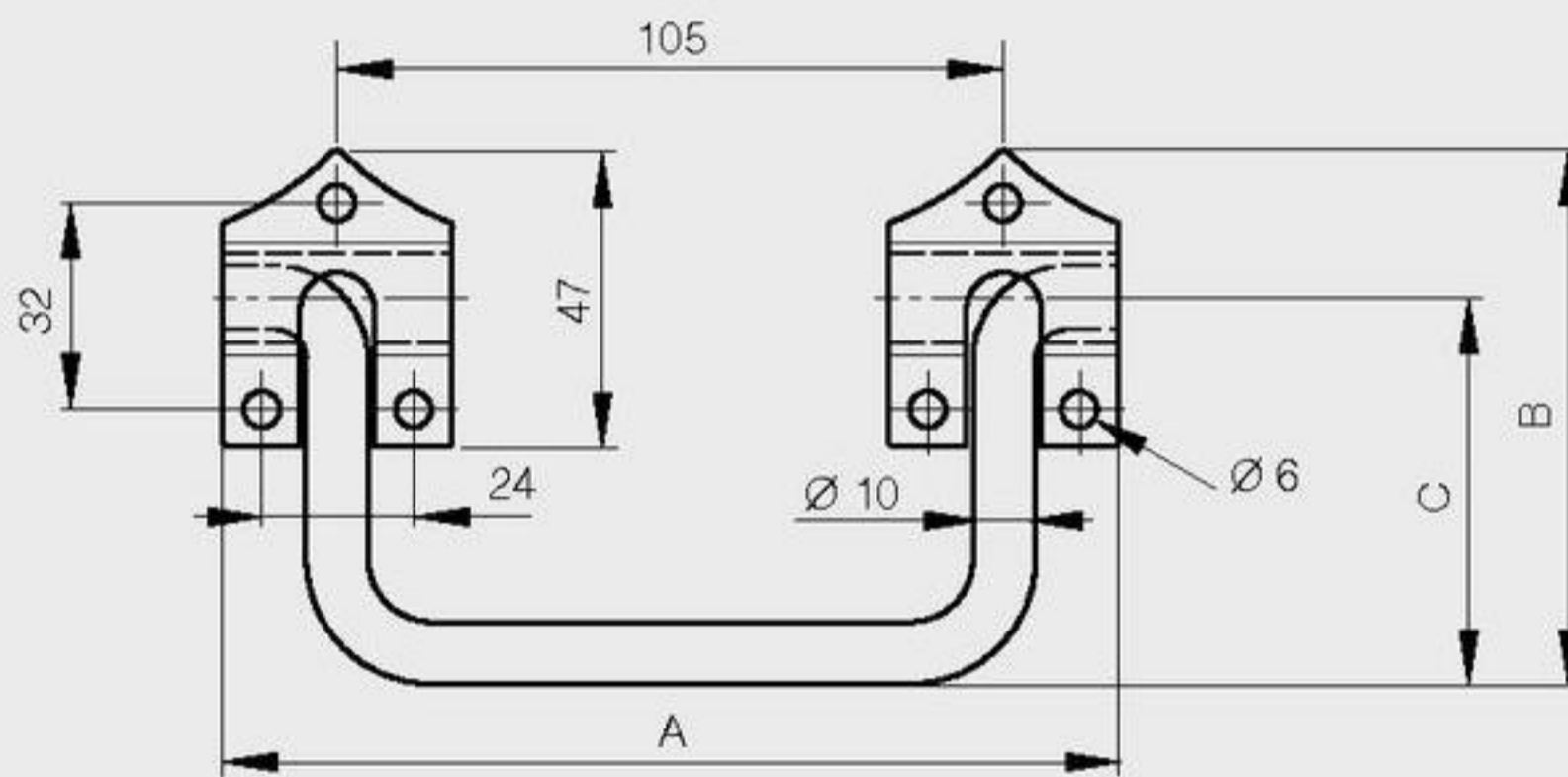


Drop handles

Maximum load : 60kg
 With 80° stop.
 Also available with fixing plate (see below).

A	B	C	part number	material	finish	weight
141	85	62	19-7-3332	steel	raw	205.5g
141	85	62	19-7-3648	steel	zinc plated	205.5g



Maximum load : 60kg
 With 80° stop.

A	B	C	part number	material	finish	weight
141	85	62	19-7-3331	steel	raw	502g
141	85	62	19-7-3626	steel	zinc plated	502g

