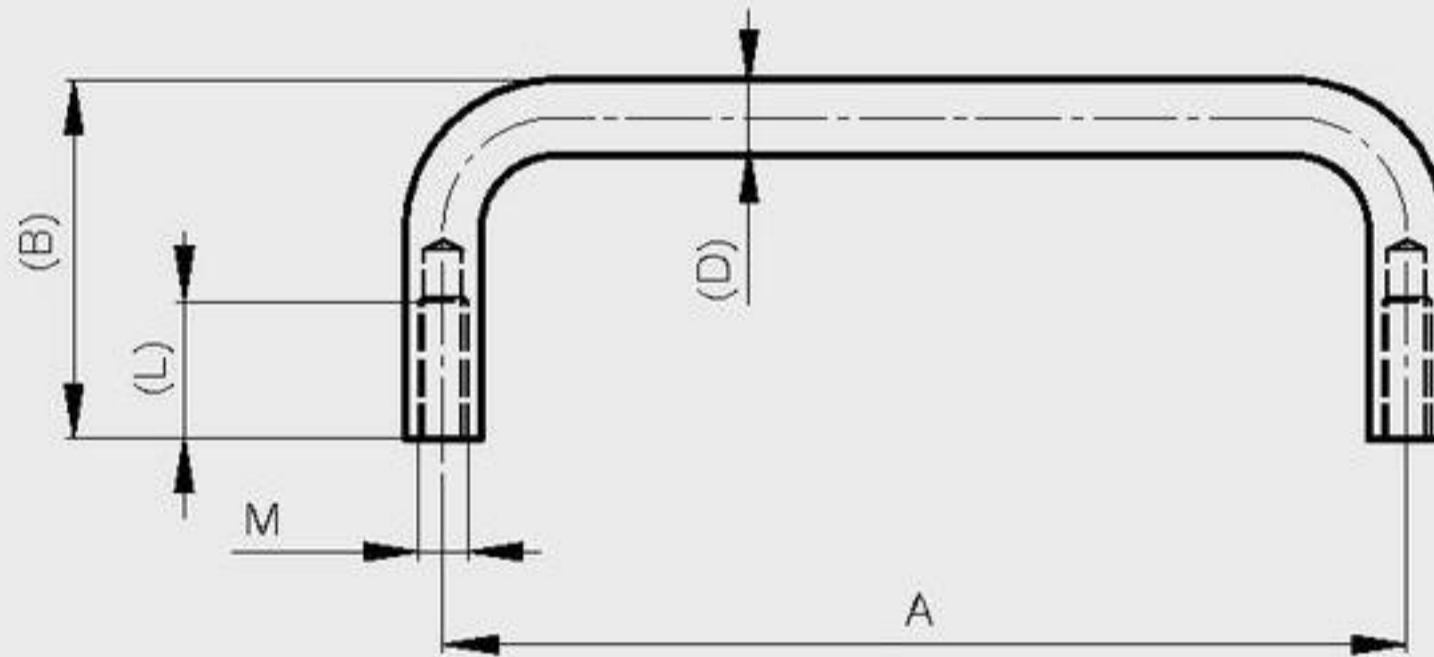


### Rear mounted handles

A	B	D	L	M	part number	material	finish	weight
102	38	8	14	5	19-1-3569	steel	chrome plated	70g
153	38	8	14	5	19-1-3570	steel	chrome plated	90g
204	38	8	14	5	19-1-3571	steel	chrome plated	105g



### Knurled collar

For use with handles part numbers 19-1-3569, 19-1-3570 and 19-1-3571

A	B	part number	material	finish	weight
16	8	19-1-3572	brass	chrome plated	10g

