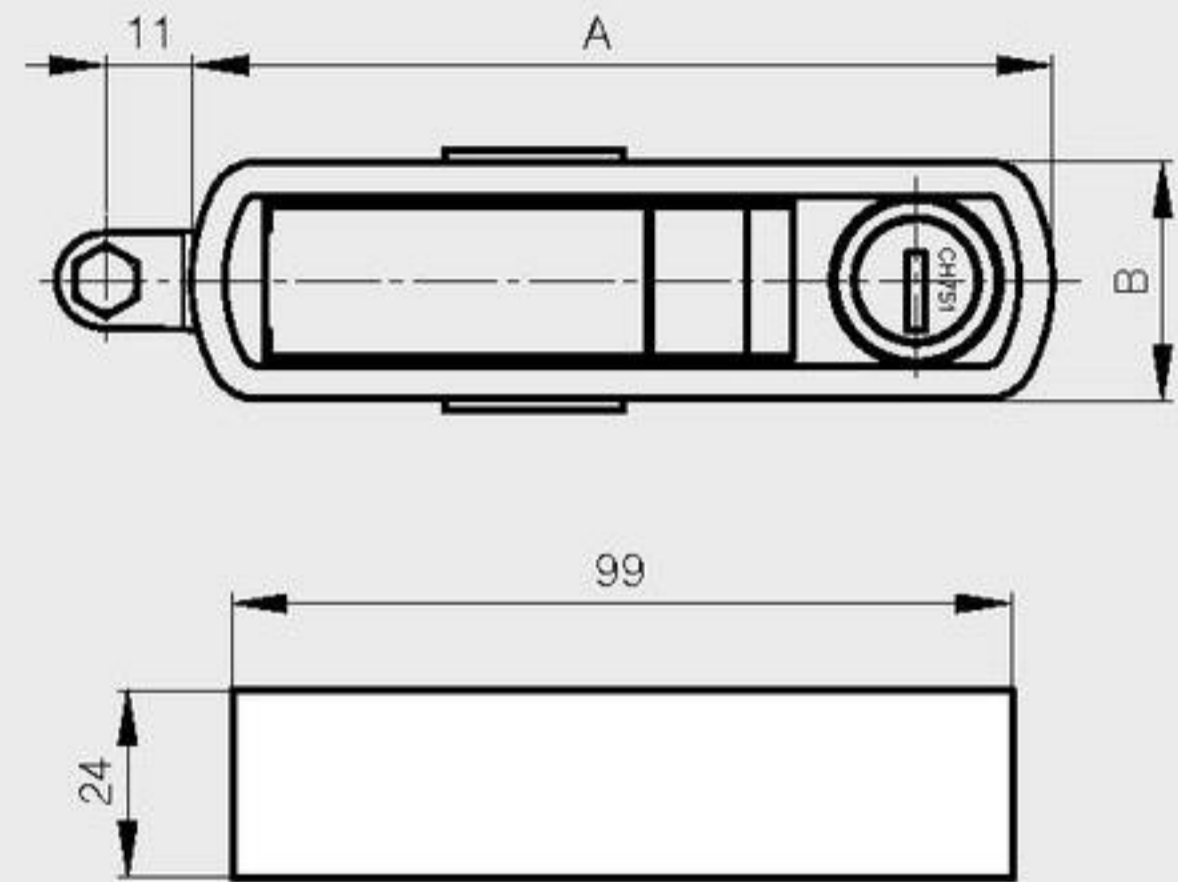
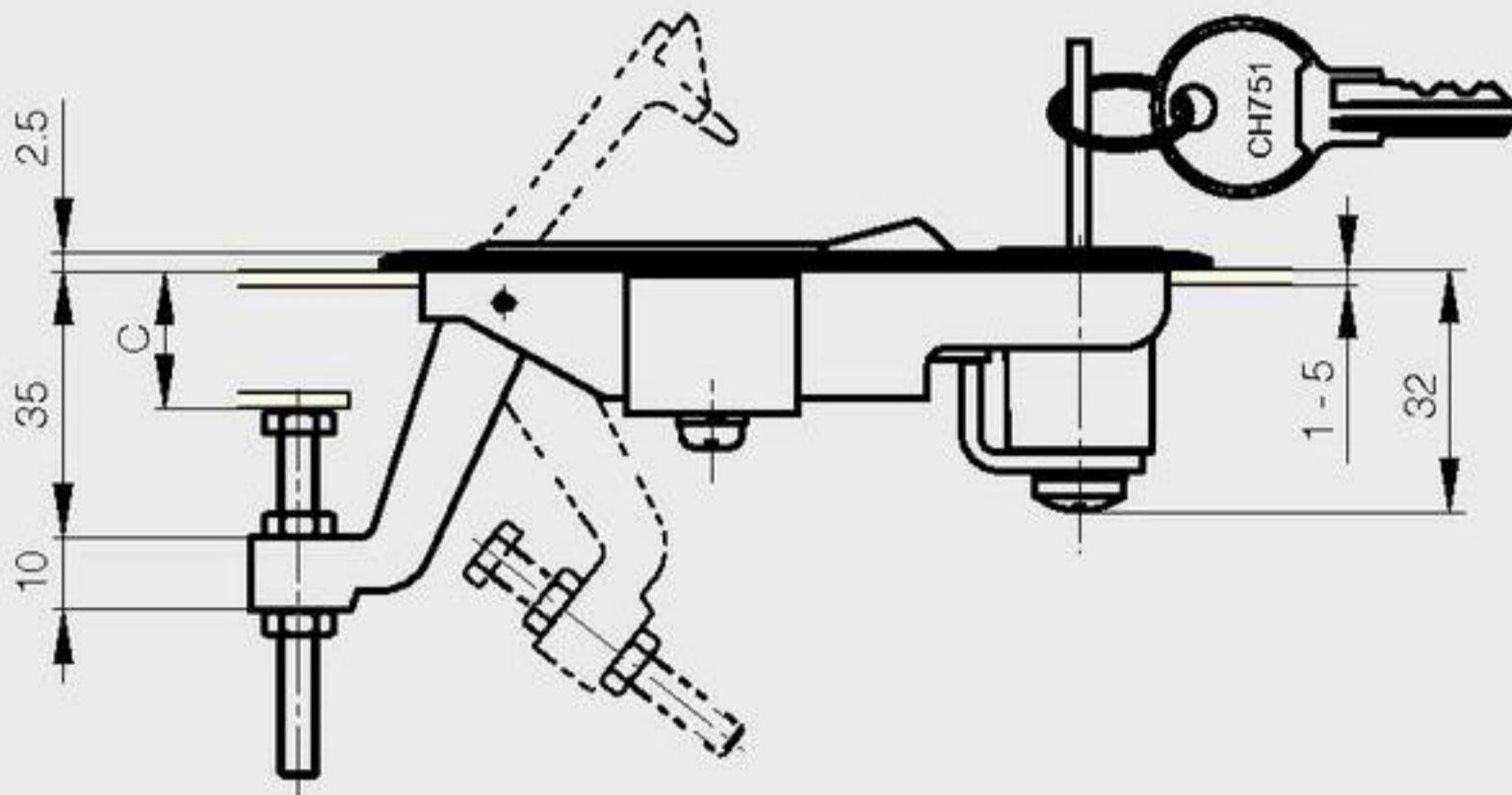


Compression latch

Lockable or non lockable parts have the same dimensions and the cut-out is the same for both.
 A full product data sheet is available on our website.

A	B	C	note	part number	material	finish	weight
109	31	1-15	with key	16-7-4053	zinc die-cast	black	240g
109	31	15-25	with key	16-7-4054	zinc die-cast	black	240g
109	31	1-15	without key	16-7-4055	zinc die-cast	black	200g
109	31	15-25	without key	16-7-4056	zinc die-cast	black	200g



Vector T-handle - rivet mounted

IP 65 rated.

Handle rotation 90° right, 90° left.

Material: Body: Glass fiber reinforced polyamide (PA6)

Handle: zinc die-cast black powder coated / Shaft: zinc plated steel

Cam: zinc die-cast or zinc plated steel/ Roller: Glass fiber reinforced polyamide (PA6)

Other key numbers and cams are available on request

A full product data sheet is available on our website.

A	B	note	part number	material	finish	weight
131	120	1 point cam (H58)	16-7-4153	zinc die-cast and PA6	black	450g
131	120	adjustable 1 point cam (H10-60)	16-7-4154	zinc die-cast and PA6	black	490g

