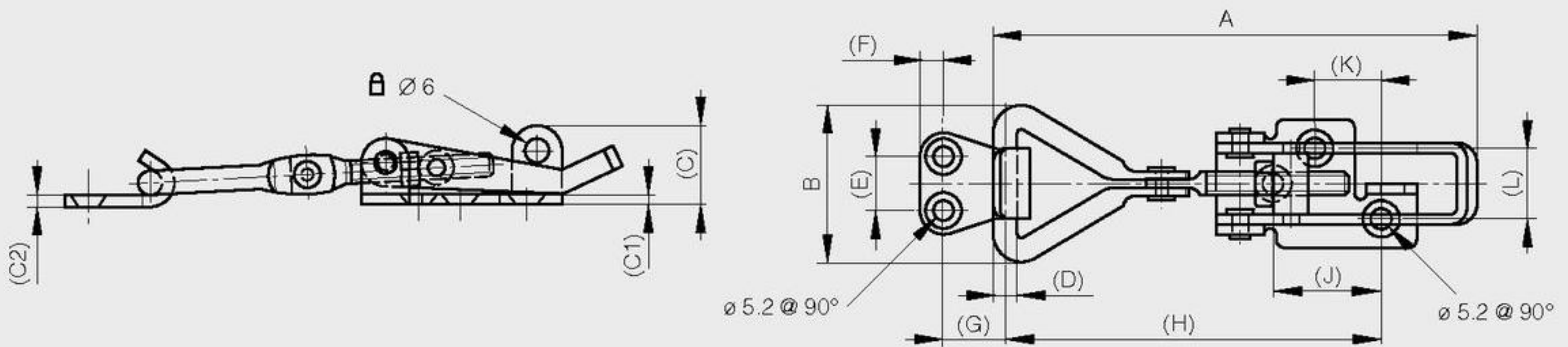


Adjustable toggle latches with strike - padlockable

A	B	C	C1	C2	D	E	F	G	H	J	K	L	note	part number	material	finish	weight
82	27	19	2	2	4	14	5	10	62-72	22	11	14	82<A<92	16-7-4018	steel	zinc plated	48g
109	34	18	2.5	3	5	17	6.5	10	109-120	27	16	18	109<A<120	16-7-4020	steel	zinc plated	102g
117	39	22	3	2.5	6	20	6.5	18	117-128	33	15	20	117<A<128	16-7-4021	steel	zinc plated	124g
82	27	19	2	2	4	14	5	10	62-72	22	11	14	82<A<92	16-7-4025	304 stainless steel	raw	48g
109	34	18	2.5	3	5	17	6.5	10	109-120	27	16	18	109<A<120	16-7-4027	304 stainless steel	raw	102g
117	39	22	3	2.5	6	20	6.5	18	117-128	33	15	20	117<A<128	16-7-4028	304 stainless steel	raw	124g



Adjustable toggle latches with strike - padlockable

A	B	C	note	part number	material	finish	weight
174	50	27	174<A<186	16-7-4023	steel	zinc plated	236g
174	50	27	174<A<186	16-7-4030	304 stainless steel	raw	236g

