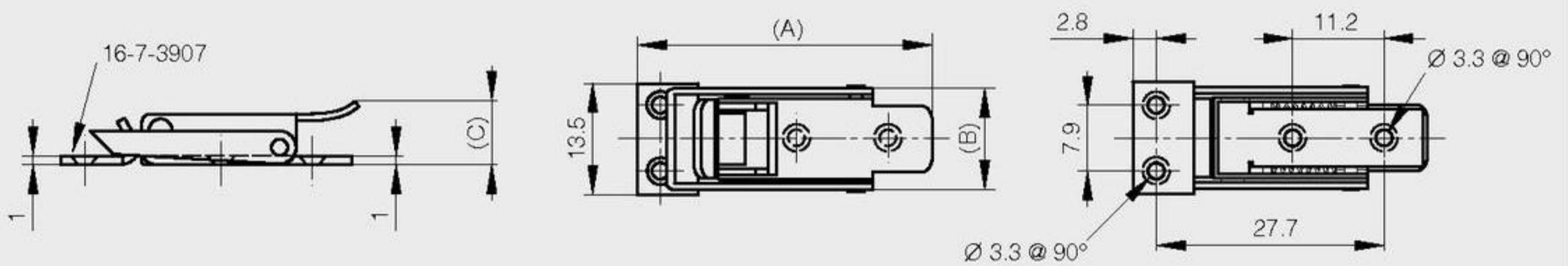


Spring loaded toggle latch without strike

This latch is used with strike part number 16-7-3907 (see below)

| A | B | C | part number | material | finish | weight |
|------|------|-----|-------------|---------------------|--------|--------|
| 35.8 | 12.3 | 7.9 | 16-7-3906 | 304 stainless steel | raw | 9g |



Strike for part number 16-7-3906

| part number | material | finish | weight |
|-------------|---------------------|--------|--------|
| 16-7-3907 | 304 stainless steel | raw | 4.5g |

