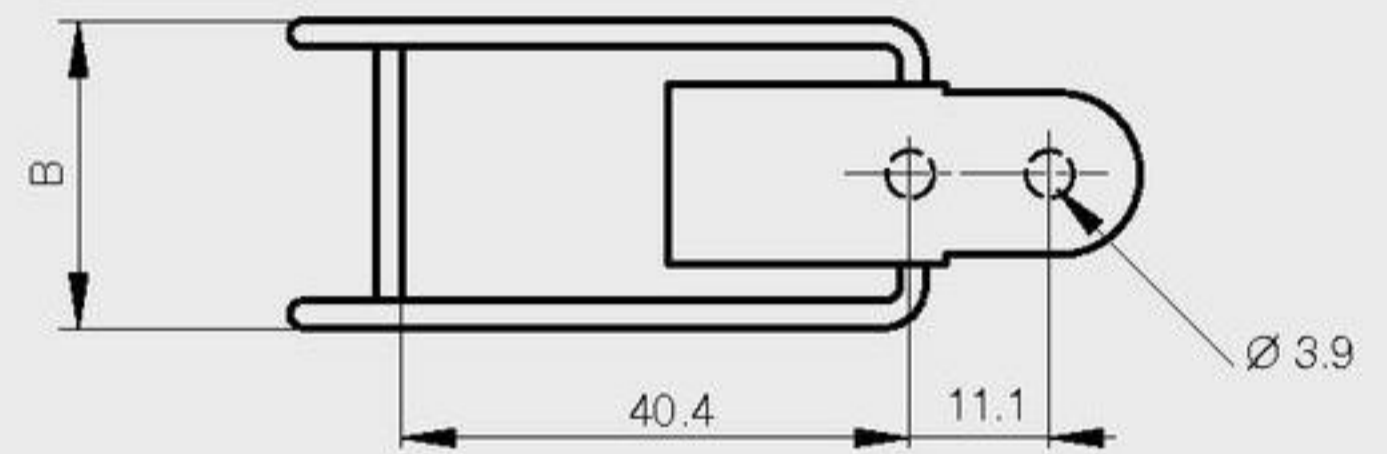
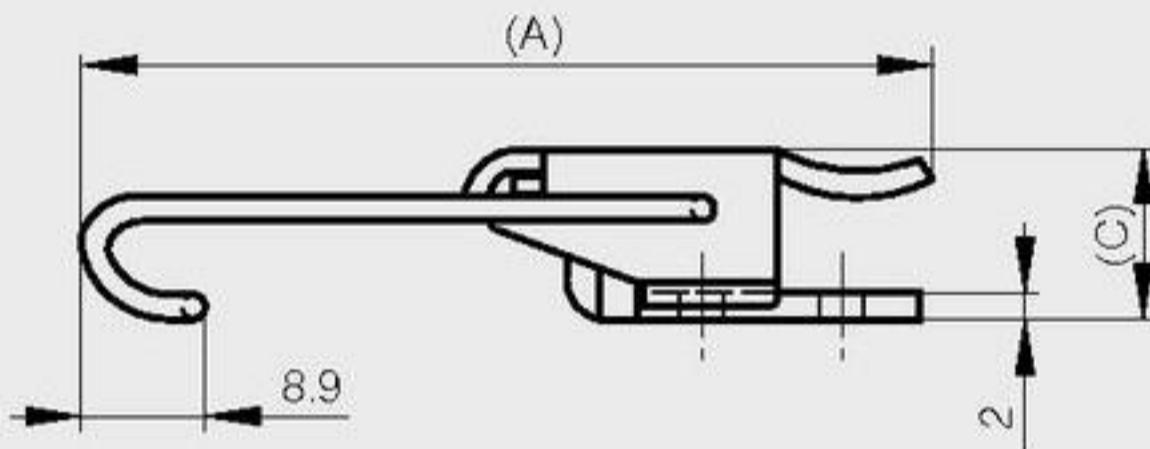


Toggle latches without strike

A	B	C	part number	material	finish	weight
67.6	25.4	13.7	16-7-3901	steel	zinc plated	32g
67.6	25.4	13.7	16-7-3902	304 stainless steel	raw	32g



A	B	C	part number	material	finish	weight
93.2	25.4	13.7	16-7-3903	304 stainless steel	raw	32g

