

Spring loaded toggle latches without strikes

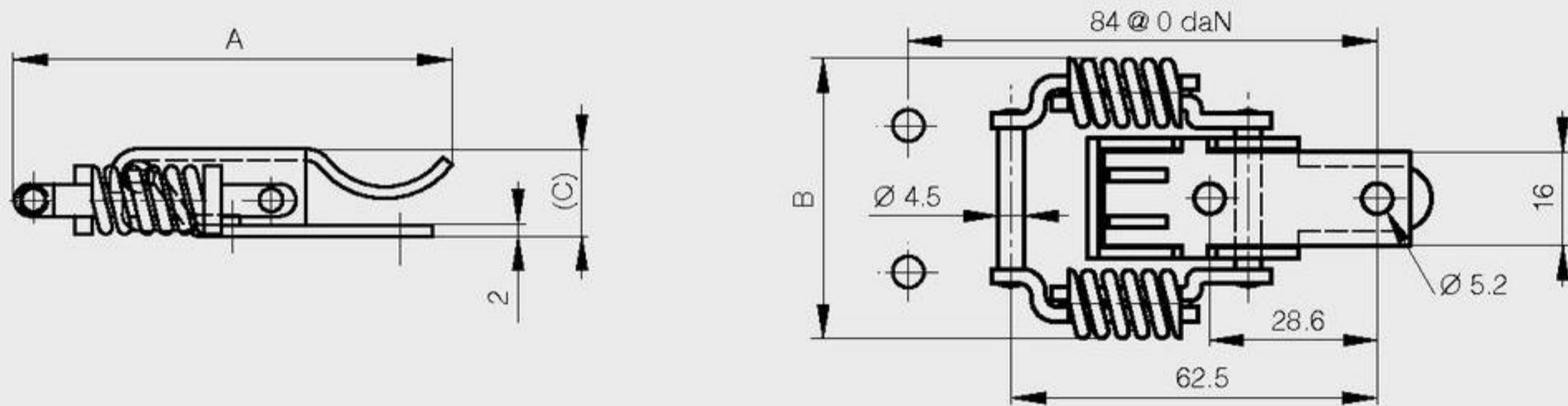
Dimension A (74mm) without tension. Dimension A can be extended up to 4mm putting the latch under tension.

The latches are used with strike part numbers 16-7-3751, 16-7-3752, 16-7-3753 and 16-7-3754 (see below)

Padlockable options are available for part numbers 16-7-3765 and 16-7-3766.



A	B	C	note	part number	material	finish	weight
74	47	15	drilled	16-7-3746	steel	raw	70g
74	47	15	drilled	16-7-3747	steel	zinc plated	70g
74	47	15	undrilled	16-7-3745	304 stainless steel	raw	70g
74	47	15	drilled	16-7-3748	304 stainless steel	raw	70g



Strikes for part numbers 16-7-3745, 16-7-3746, 16-7-3747 and 16-7-3748

A	B	note	part number	material	finish	weight
36	40	drilled	16-7-3752	steel	raw	20g
36	40	drilled	16-7-3753	steel	zinc plated	20g
36	40	undrilled	16-7-3751	304 stainless steel	raw	20g
36	40	drilled	16-7-3754	304 stainless steel	raw	20g

