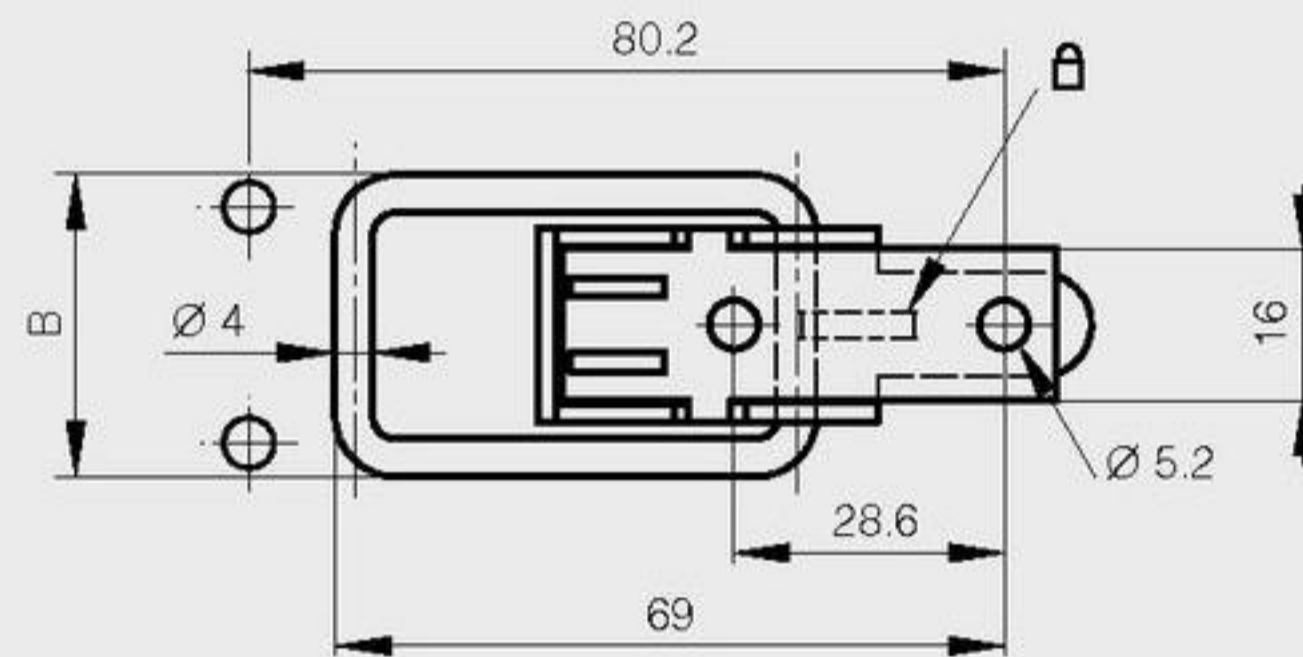
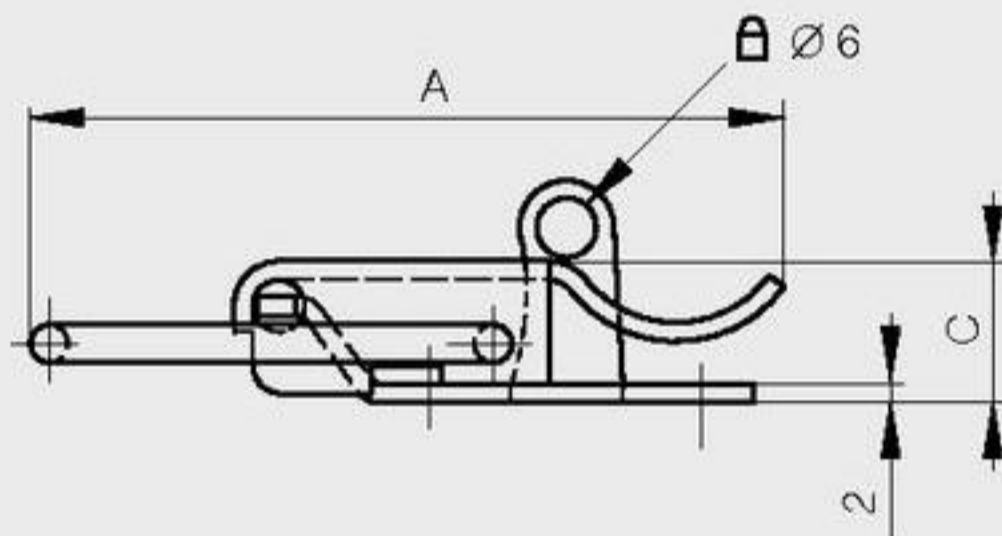


### Padlockable toggle latches

These latches are used with strike part numbers 16-7-3725, 16-7-3727, 16-7-3729 and 16-7-3730 (see below)



A	B	C	note	part number	material	finish	weight
80.2	32	23.5	undrilled	16-7-3719	steel	raw	55g
80.2	32	23.5	drilled	16-7-3723	steel	zinc plated	55g
80.2	32	23.5	drilled	16-7-3724	304 stainless steel	raw	55g



### Strikes for part numbers 16-7-3719, 16-7-3723 and 16-7-3724

A	B	note	part number	material	finish	weight
27.4	26	undrilled	16-7-3725	steel	raw	10g
27.4	26	drilled	16-7-3729	steel	zinc plated	10g
27.4	26	undrilled	16-7-3727	304 stainless steel	raw	10g
27.4	26	drilled	16-7-3730	304 stainless steel	raw	10g

