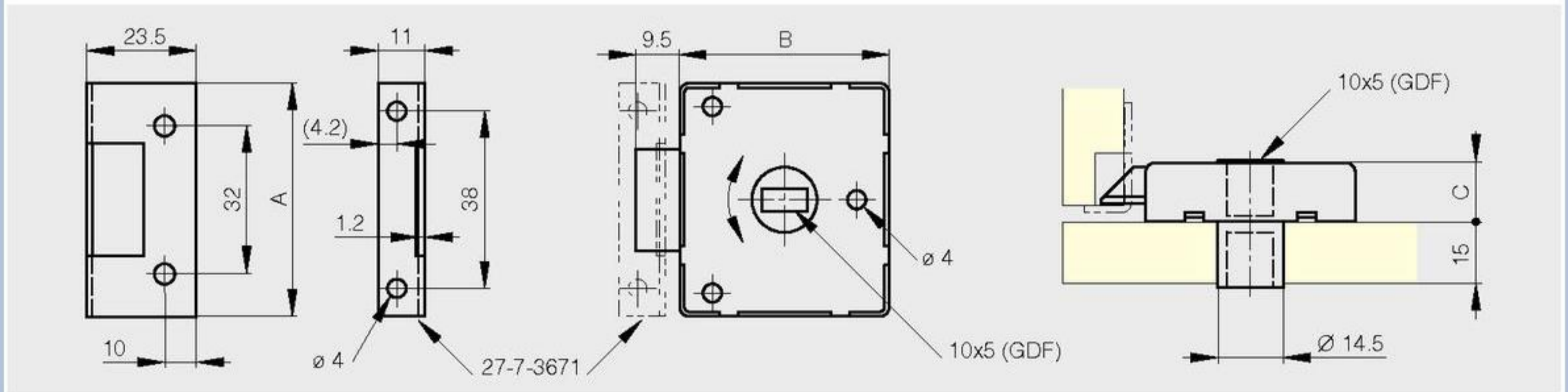


Slam latch with strike

Non handed fitting

Latch: 16-7-3698, strike: 27-7-3671

A	B	C	note	part number	material	finish	weight
50	45	12.5	Budget latch	16-7-3698	steel	zinc plated	118g
50			Strike	27-7-3671	steel	zinc plated	11g



Hooked cam

Hooked cam can be fitted to any standard quarter turn.
 A full product data sheet is available on our website.

note	part number	material	finish	weight
right	16-7-4061	zinc die-cast	zinc plated	40g
left	16-7-4062	zinc die-cast	zinc plated	40g

