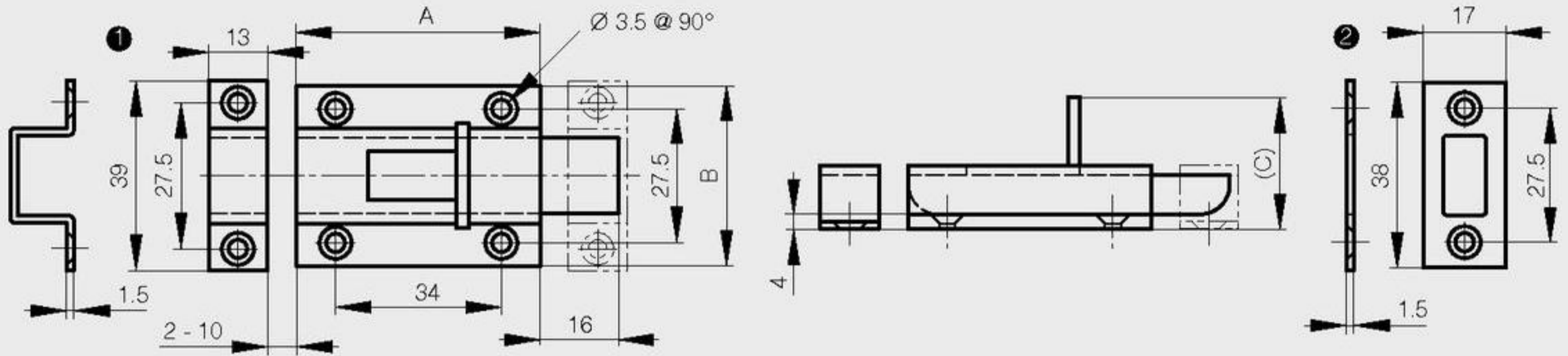


Barrel bolt

Can be fixed in vertical or horizontal position (stop when locked)
 Supplied with 2 different strikes (see drawing).

A	B	C	part number	material	finish	weight
50	37	27	16-7-3863	304 stainless steel	satin	80g



A	B	part number	material	finish	weight
40	30	16-7-3680	copper	polished	66g
40	30	16-7-3681	copper	chrome plated	66g

