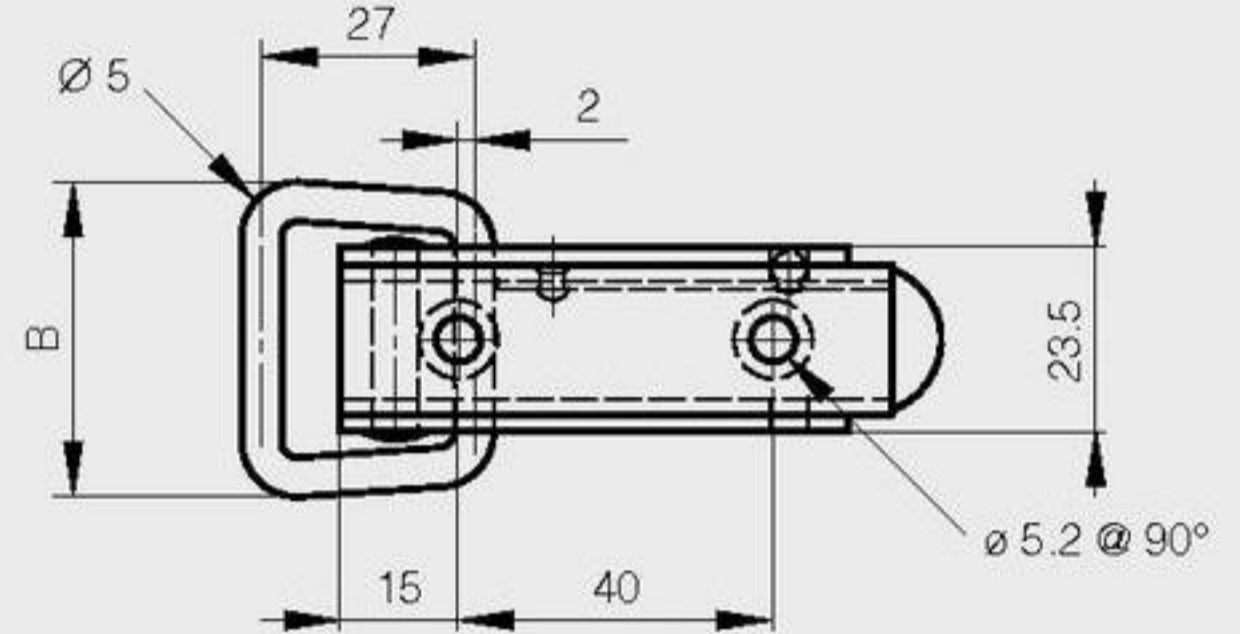
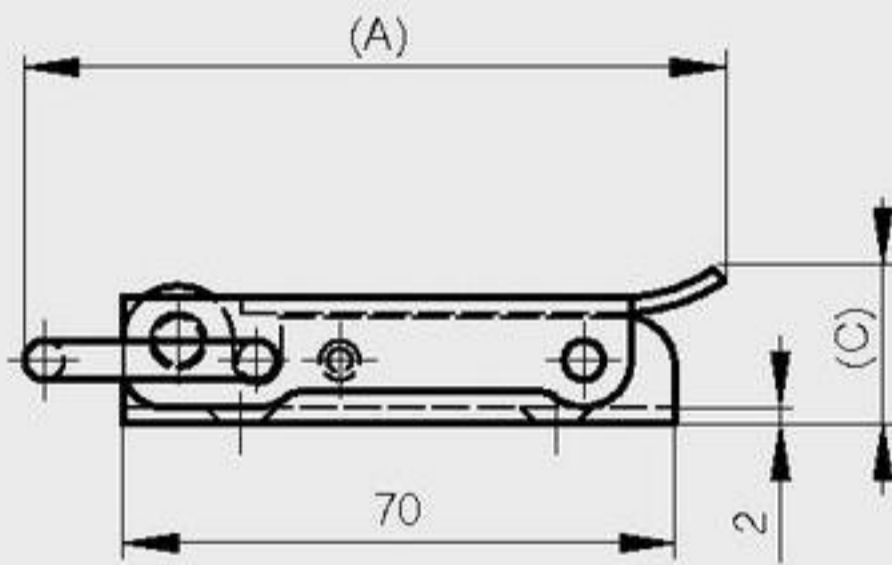


**Toggle latches without strike**

Punched holes

These latches are used with strike part numbers 16-7-3551, 16-7-3557 and 16-7-3601 (see below)

A	B	C	part number	material	finish	weight
88.5	40	19.5	16-7-3424	steel	raw	106g
88.5	40	19.5	16-7-3508	steel	zinc plated	106g
88.5	40	19.5	16-7-3829	304 stainless steel	raw	106g



Punched holes.

This latch is used with strike part numbers 16-7-3551, 16-7-3406, 16-1-4038 and 16-7-3870 (see below).

Padlockable options are available for part numbers 16-7-3426 and 16-7-3664.

A	B	C	part number	material	finish	weight
122	45	16	16-7-3502	steel	zinc plated	161g

