

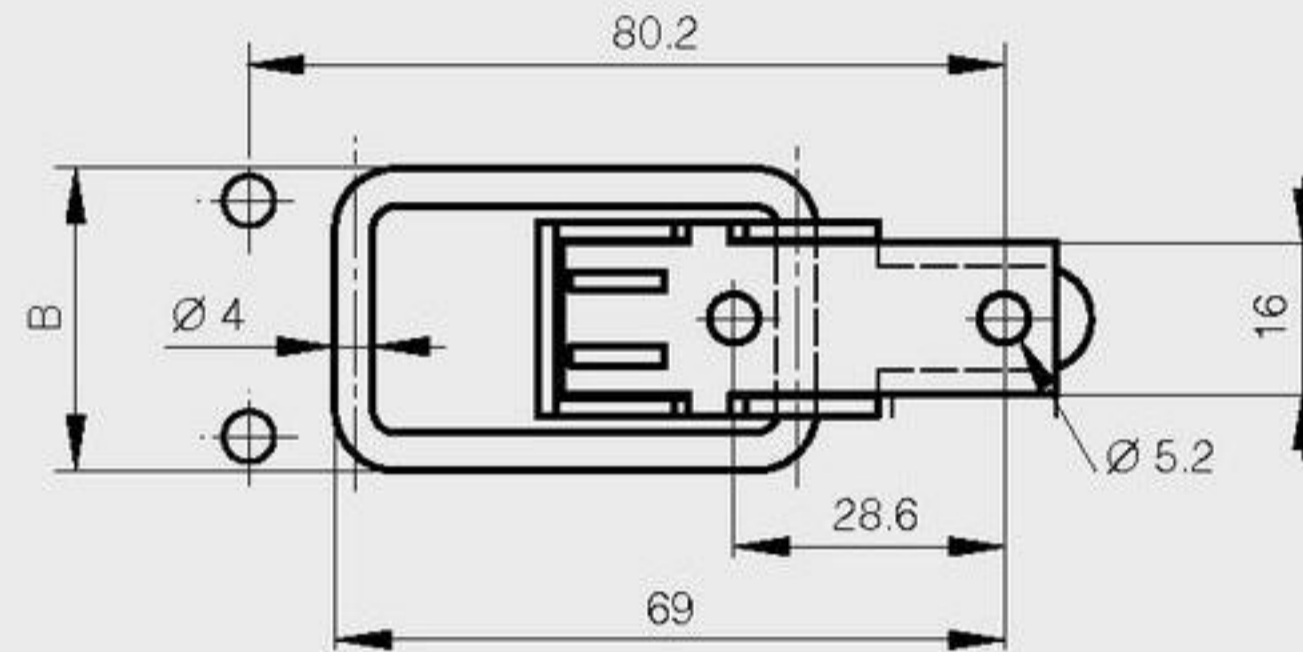
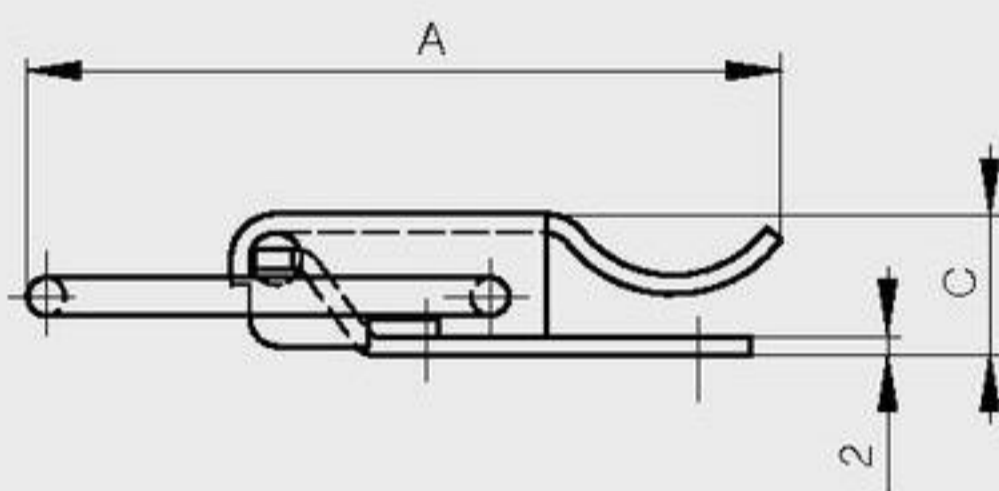
Toggle latches without strike

These latches are used with strike part numbers 16-7-3415, 16-7-3419, 16-7-3530 and 16-7-3532 (see below)

Padlockable options are available for part numbers 16-7-3395, 16-7-3397, 16-7-3719, 16-7-3723 and 16-7-3724



A	B	C	note	part number	material	finish	weight
80.2	32	14.5	drilled	16-7-3411	steel	zinc plated	53.5g
80.2	32	14.5	drilled	16-7-3526	304 stainless steel	raw	53.5g
80.2	32	14.5	undrilled	16-7-3528	304 stainless steel	raw	53.5g



Strikes for part numbers 16-7-3411, 16-7-3526 and 16-7-3528

A	B	C	D	E	note	part number	material	finish	weight
20	26.2	2			undrilled	16-7-3419	steel	raw	9g
20	26.2	2	15	5.1	drilled	16-7-3415	steel	zinc plated	9g
20	26.2	2			undrilled	16-7-3532	304 stainless steel	raw	9g
20	26.2	2	15	5.1	drilled	16-7-3530	304 stainless steel	raw	9g

